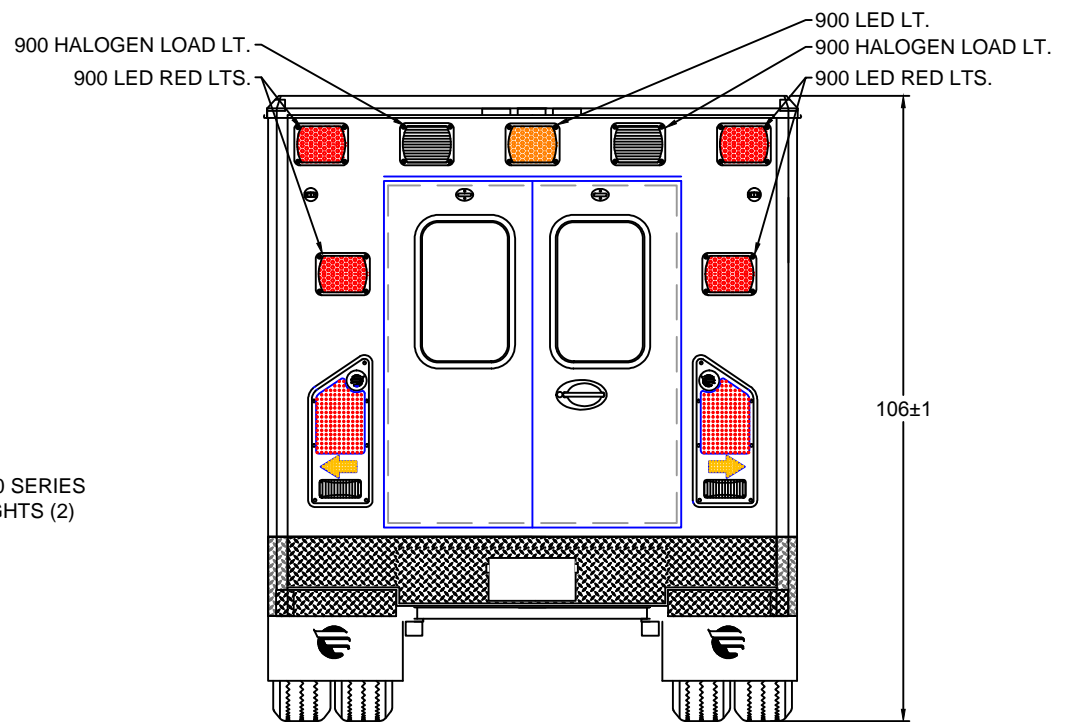
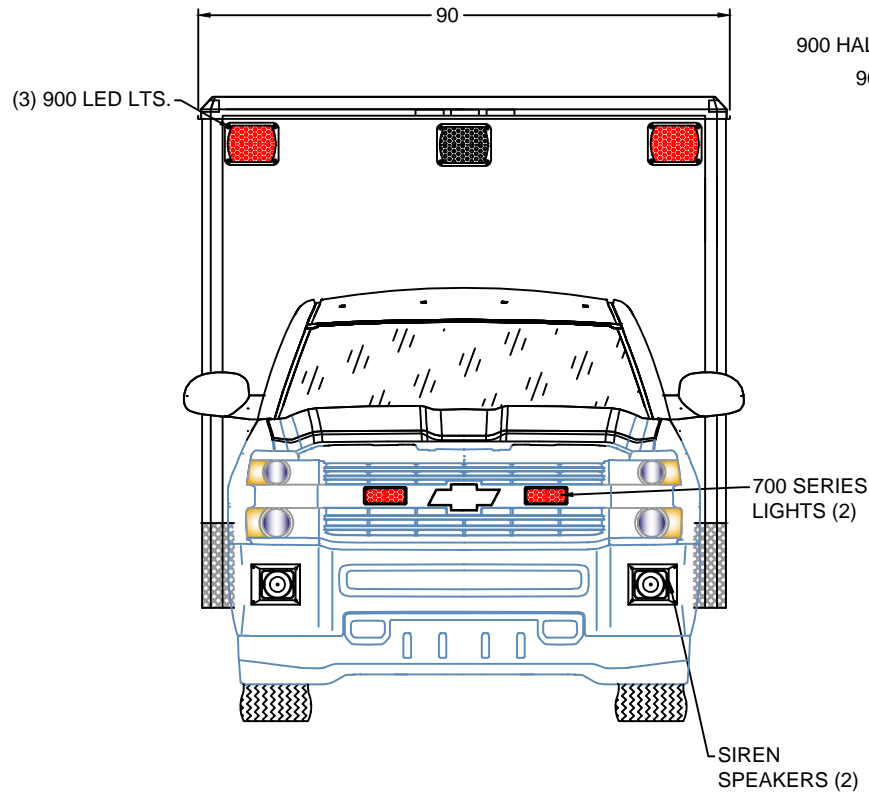


CA111205

MODEL 1146C

146 x 90 x 68



EXTERIOR COMPARTMENT DIMENSIONS IN INCHES

INTERIOR DIMENSIONS				PASS THRU		INTERIOR DIMENSIONS				JAMB OPENING	
COMPT.	HEIGHT	WIDTH	DEPTH	HEIGHT	WIDTH	COMPT.	HEIGHT	WIDTH	DEPTH	HEIGHT	WIDTH



TYPE 1 CHEVY 2018
FRONT / REAR
EXTERIOR VIEWS

BE ADVISED THAT THESE ARE PRELIMINARY LAYOUTS INTENDED TO ILLUSTRATE DESIGN INTENT AND DIMENSIONS ARE FOR REFERENCE ONLY PRIOR TO FINAL ENGINEERING

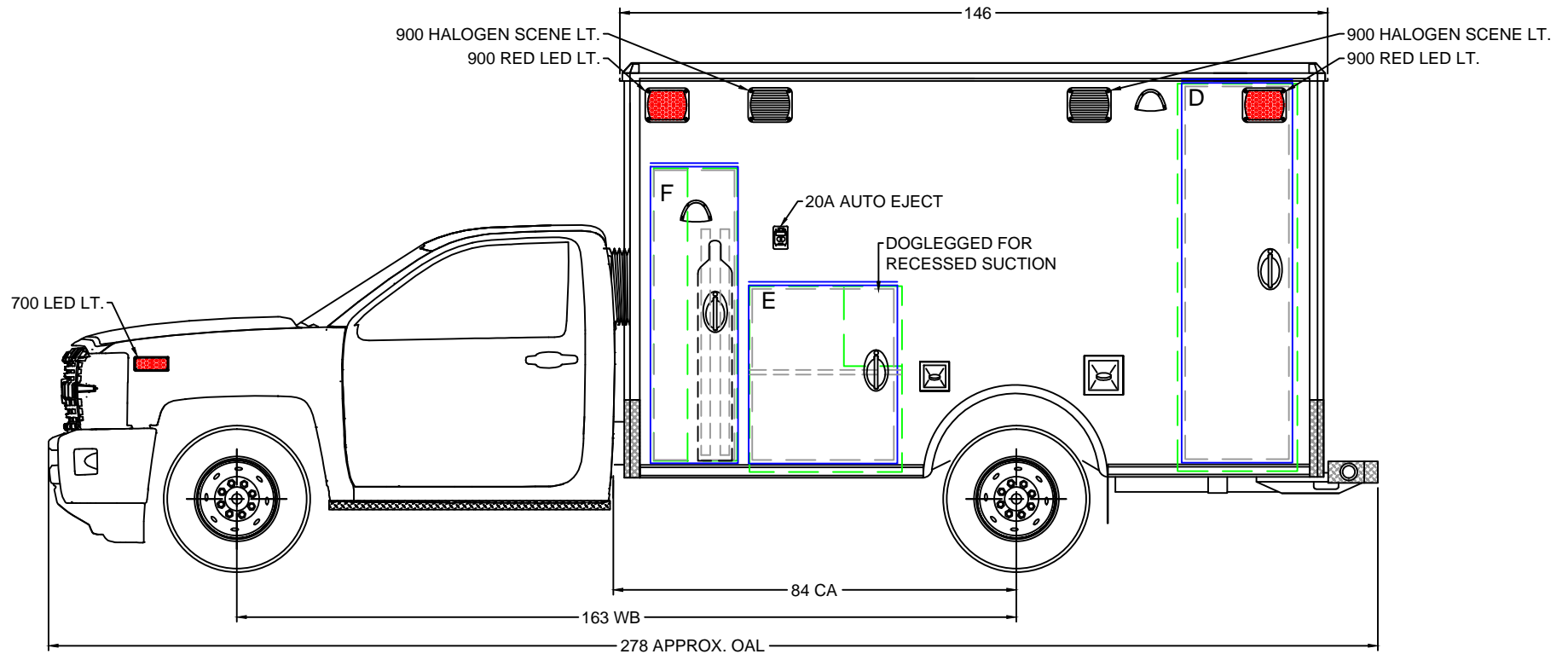
DATE:	04/17/18	SCALE
DWN BY	SG	DWG NO 1 / 9

49" AISLE


CA111205

MODEL 1146C

146 x 90 x 68



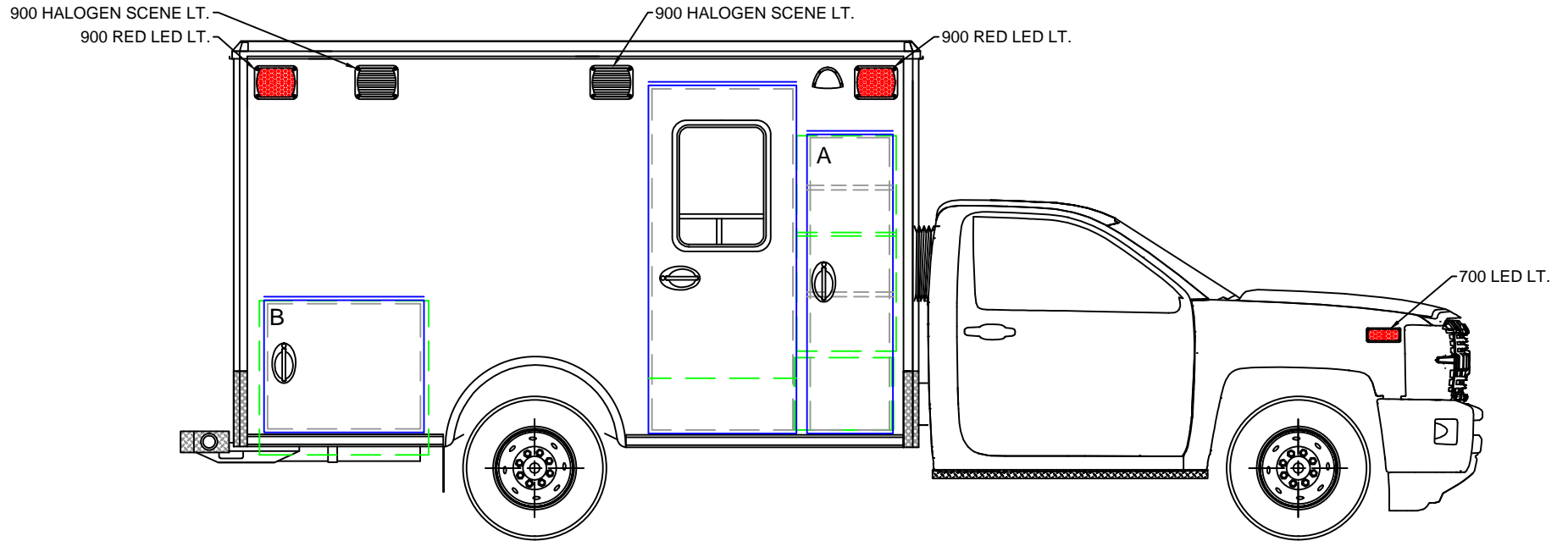
BE ADVISED THAT THESE ARE PRELIMINARY LAYOUTS INTENDED TO ILLUSTRATE DESIGN INTENT AND DIMENSIONS ARE FOR REFERENCE ONLY PRIOR TO FINAL ENGINEERING

EXTERIOR COMPARTMENT DIMENSIONS IN INCHES												
INTERIOR DIMENSIONS				JAMB OPENING		INTERIOR DIMENSIONS				JAMB OPENING		
COMPT.	HEIGHT	WIDTH	DEPTH	HEIGHT	WIDTH	COMPT.	HEIGHT	WIDTH	DEPTH	HEIGHT	WIDTH	
D	81.00	25.00	8.00	77.75	21.50							
E	38.75	31.75	15.00	35.75	29.50							
F	61.00	17.50	15.00	60.50	16.75							
49" AISLE												DATE 04/17/18 DRAWN BY SG
												SCALE DWG NO 2 / 9


CA111205

MODEL 1146C

146 x 90 x 68



BE ADVISED THAT THESE ARE PRELIMINARY LAYOUTS INTENDED TO ILLUSTRATE DESIGN INTENT AND DIMENSIONS ARE FOR REFERENCE ONLY PRIOR TO FINAL ENGINEERING

EXTERIOR COMPARTMENT DIMENSIONS IN INCHES													
INTERIOR DIMENSIONS				JAMB OPENING		INTERIOR DIMENSIONS				JAMB OPENING			
COMPT.	HEIGHT	WIDTH	DEPTH	HEIGHT	WIDTH	COMPT.	HEIGHT	WIDTH	DEPTH	HEIGHT	WIDTH		
A	45.25	21.25	32.50	61.50	16.75								
LOWER-A	15.50	19.00	18.75										
B	33.00	36.00	15.50	26.75	32.50								
49" AISLE												DATE 04/17/18 SCALE DRAWN BY SG DWG NO 3 / 9	

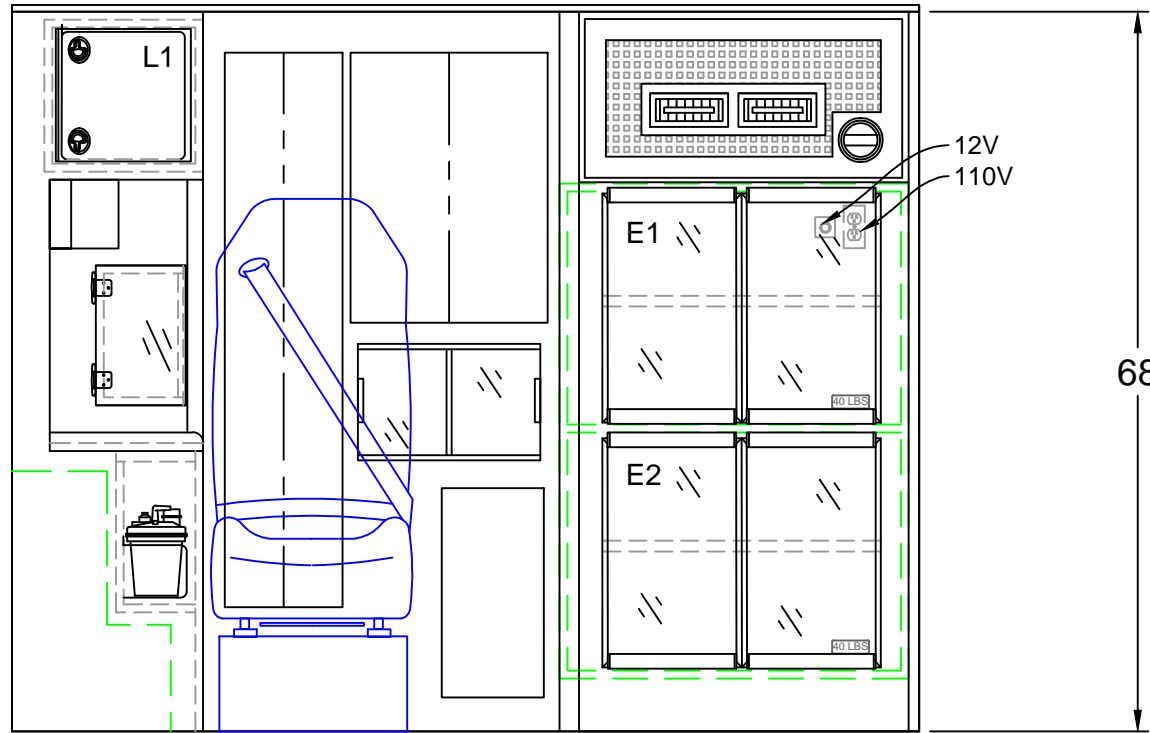
TYPE 1 CHEVY 2018

RIGHT EXT. VIEW

CA111205

MODEL 1146C

146 x 90 x 68



BE ADVISED THAT THESE ARE PRELIMINARY LAYOUTS INTENDED TO ILLUSTRATE DESIGN INTENT AND DIMENSIONS ARE FOR REFERENCE ONLY PRIOR TO FINAL ENGINEERING

CABINET WEIGHT RATINGS:
 RESTOCKING = 30 LBS.
 NON-RESTOCKING = 40 LBS.

INTERIOR CABINET DIMENSIONS IN INCHES

CABINET	HEIGHT	WIDTH	DEPTH	CABINET	HEIGHT	WIDTH	DEPTH
E1	22.00	32.50	21.25				
E2	22.00	32.50	21.25				



TYPE 1 CHEVY 2018
 BULKHEAD INTERIOR

DATE 04/17/18

SCALE

DRAWN BY SG

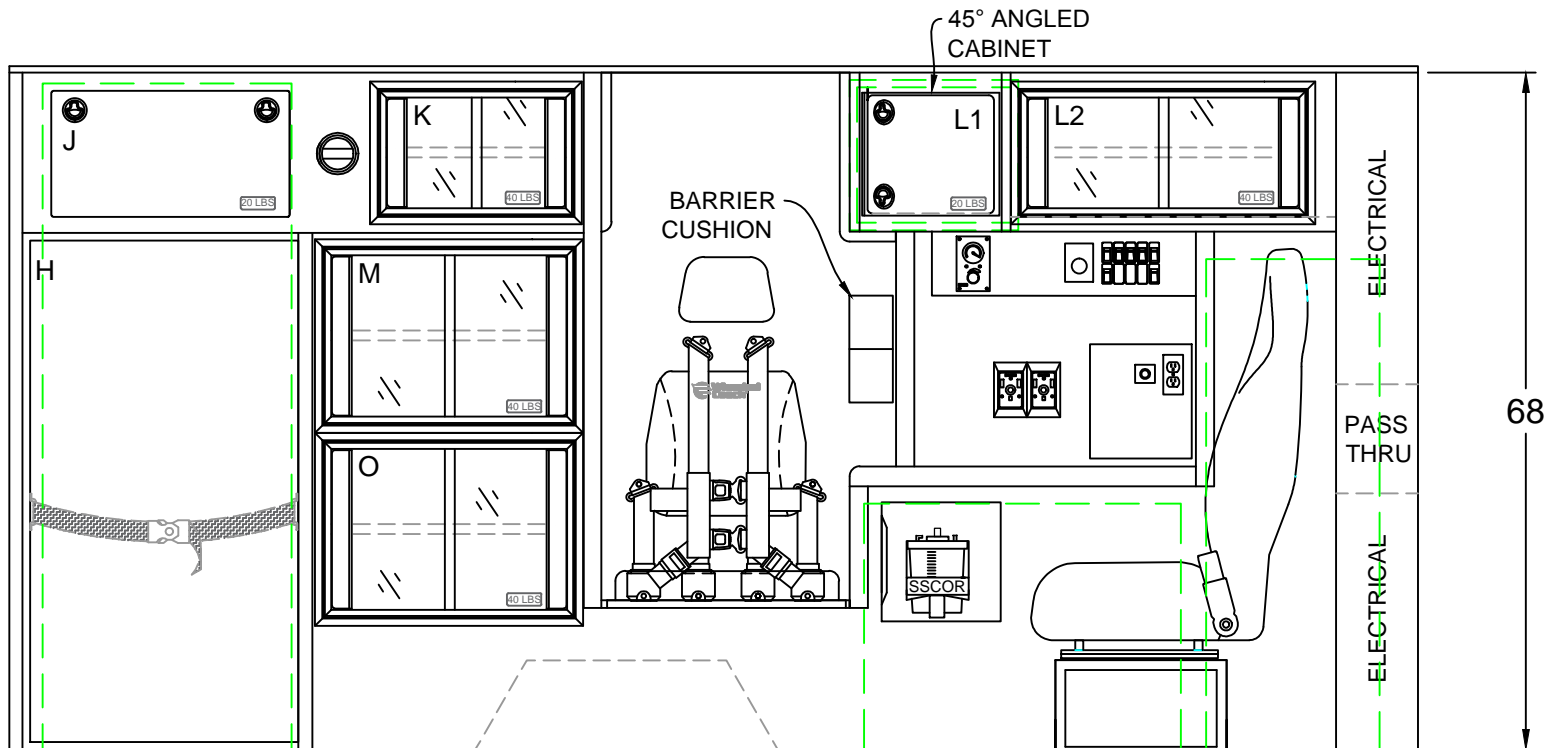
DWG NO 4 / 9

49" AISLE

CA111205

MODEL 1146C

146 x 90 x 68



INTERIOR CABINET DIMENSIONS IN INCHES

CABINET	HEIGHT	WIDTH	DEPTH		CABINET	HEIGHT	WIDTH	DEPTH	
H	50.50	26.75	7.75		M	18.00	25.50	16.00	
J	12.75	24.00	7.00		O	18.75	29.00	16.00	
K	12.75	19.75	16.00						
L1	13.50	15.50	16.00						
L2	12.75	29.00	13.50						

49" AISLE

CABINET WEIGHT RATINGS:
 RESTOCKING = 30 LBS.
 NON-RESTOCKING = 40 LBS.

BE ADVISED THAT THESE ARE PRELIMINARY LAYOUTS INTENDED TO ILLUSTRATE DESIGN INTENT AND DIMENSIONS ARE FOR REFERENCE ONLY PRIOR TO FINAL ENGINEERING



TYPE 1 CHEVY 2018

LEFT INTERIOR

DATE: 04/17/18

SCALE

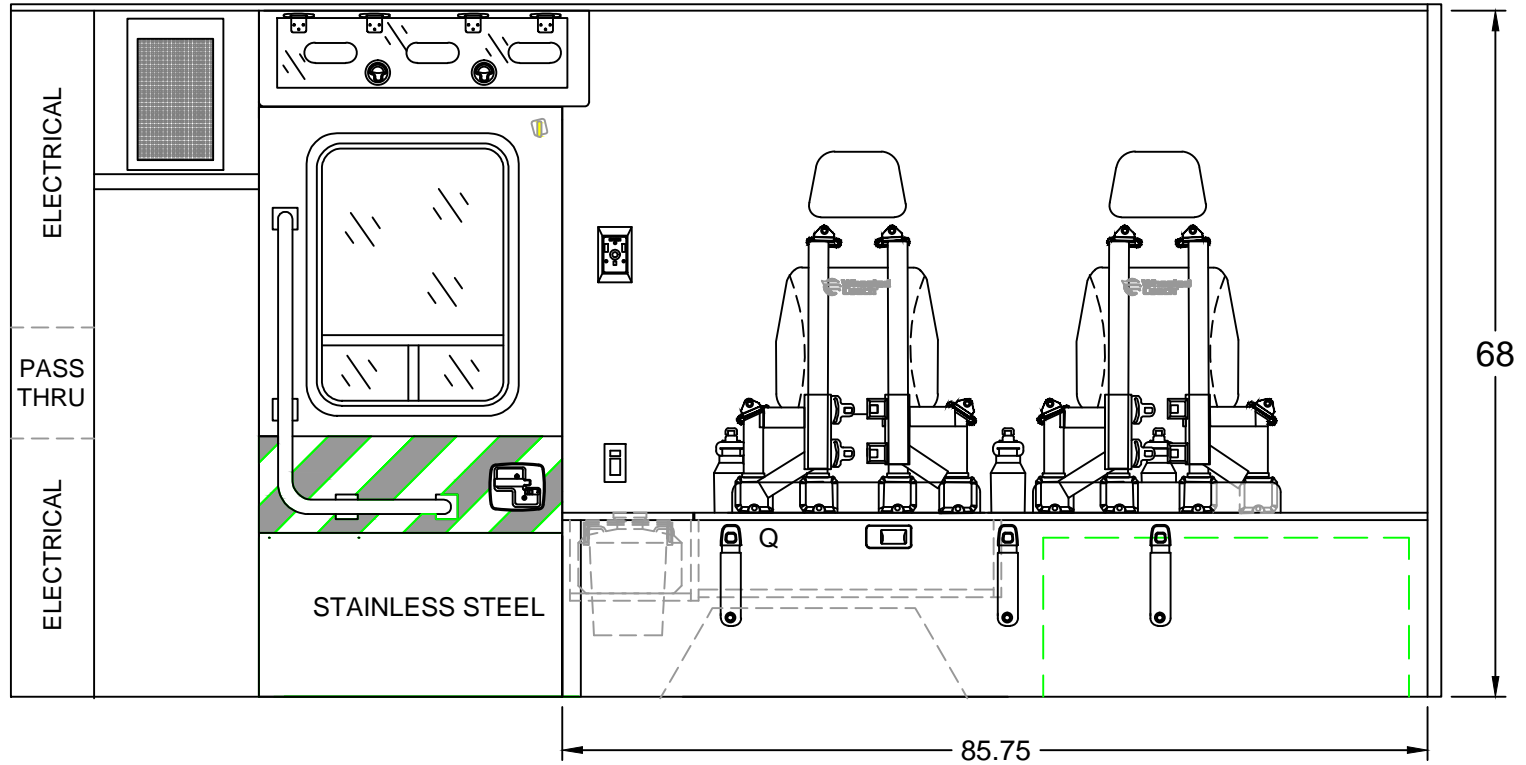
DWN BY: SG

DWG NO: 5 / 9

CA111205

MODEL 1146C

146 x 90 x 68



INTERIOR CABINET DIMENSIONS IN INCHES



TYPE 1 CHEVY 2018
RIGHT INTERIOR

DATE: 04/17/18 SCALE:
DWN BY: SG DWG NO: 6 / 9

COMPT.	HEIGHT	WIDTH	DEPTH		COMPT.	HEIGHT	WIDTH	DEPTH	
Q	6.75	29.25	16.00						

49" AISLE

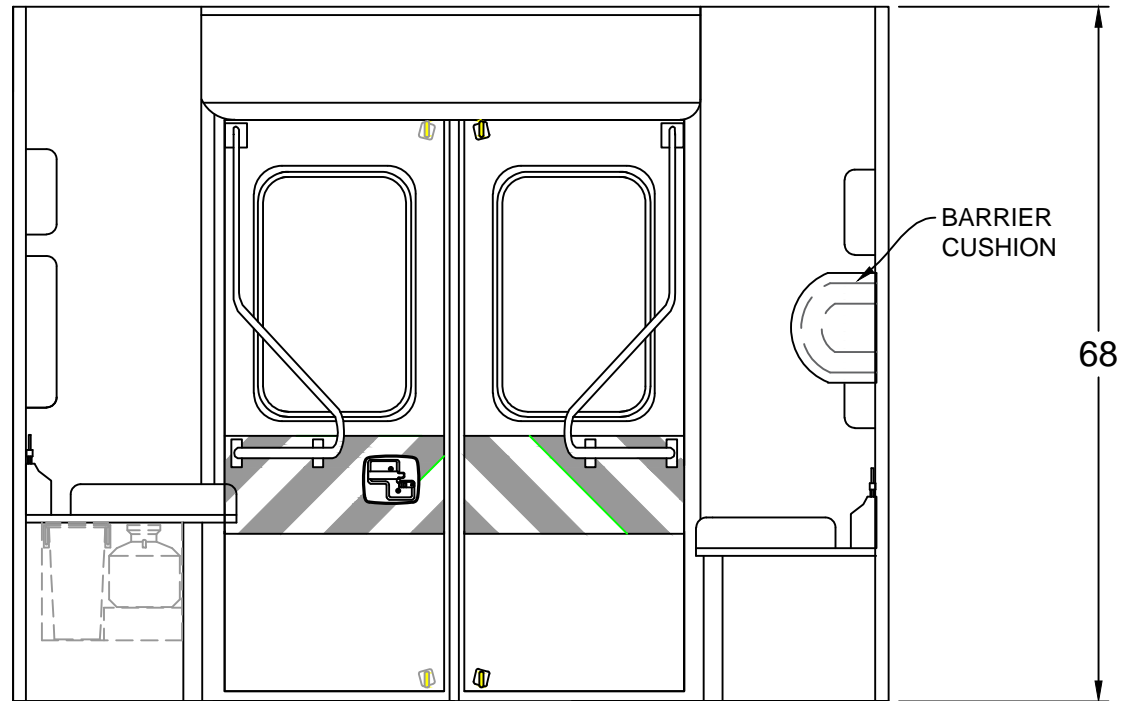
CABINET WEIGHT RATINGS:
RESTOCKING = 30 LBS.
NON-RESTOCKING = 40 LBS.

BE ADVISED THAT THESE ARE PRELIMINARY LAYOUTS INTENDED TO ILLUSTRATE DESIGN INTENT AND DIMENSIONS ARE FOR REFERENCE ONLY PRIOR TO FINAL ENGINEERING

CA111205

MODEL 1146C

146 x 90 x 68



INTERIOR CABINET DIMENSIONS IN INCHES



TYPE 1 CHEVY 2018

REAR BULKHEAD INTERIOR

DATE:	04/17/18	SCALE:	
DRAWN BY:	SG	DWG NO:	7 / 9

COMPT.	HEIGHT	WIDTH	DEPTH	COMPT.	HEIGHT	WIDTH	DEPTH

49" AISLE

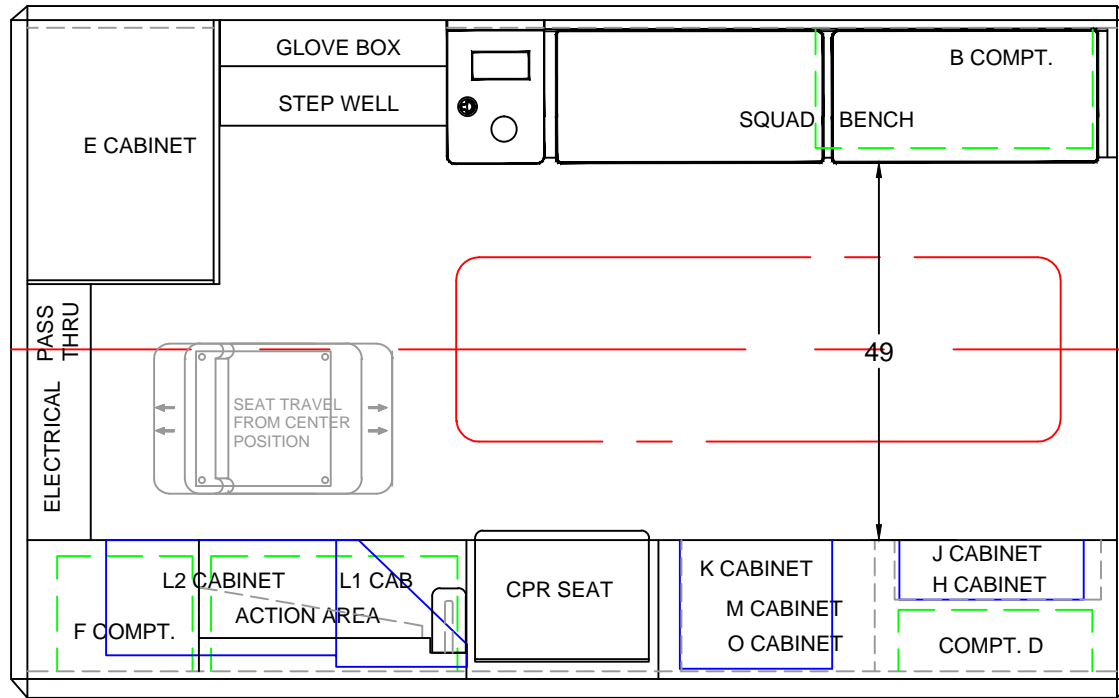
CABINET WEIGHT RATINGS:
 RESTOCKING = 30 LBS.
 NON-RESTOCKING = 40 LBS.

BE ADVISED THAT THESE ARE PRELIMINARY LAYOUTS INTENDED TO ILLUSTRATE DESIGN INTENT AND DIMENSIONS ARE FOR REFERENCE ONLY PRIOR TO FINAL ENGINEERING

CA111205

MODEL 1146C

146 x 90 x 68



BE ADVISED THAT THESE ARE PRELIMINARY LAYOUTS INTENDED TO ILLUSTRATE DESIGN INTENT AND DIMENSIONS ARE FOR REFERENCE ONLY PRIOR TO FINAL ENGINEERING

INTERIOR CABINET DIMENSIONS IN INCHES

CABINET	HEIGHT	WIDTH	DEPTH	CABINET	HEIGHT	WIDTH	DEPTH



TYPE 1 CHEVY 2018
FLOOR PLAN

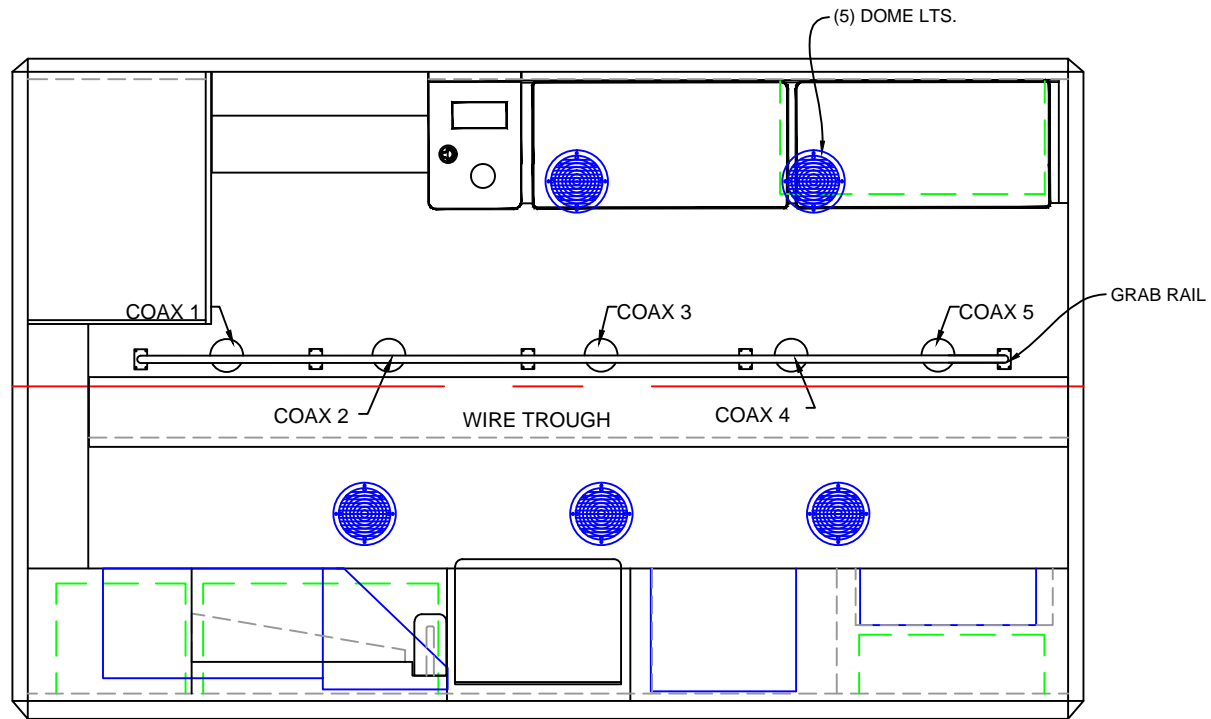
DATE:	04/17/18	SCALE:	
DWN BY:	SG	DWG NO:	8 / 9

49" AISLE

CA111205

MODEL 1146C

146 x 90 x 68



BE ADVISED THAT THESE ARE PRELIMINARY LAYOUTS INTENDED TO ILLUSTRATE DESIGN INTENT AND DIMENSIONS ARE FOR REFERENCE ONLY PRIOR TO FINAL ENGINEERING

INTERIOR CABINET DIMENSIONS IN INCHES

CABINET	HEIGHT	WIDTH	DEPTH	CABINET	HEIGHT	WIDTH	DEPTH



TYPE 1 CHEVY 2018
LINER

DATE: 04/17/18 SCALE
DWN BY: SG DWG NO: 9 / 9

49" AISLE