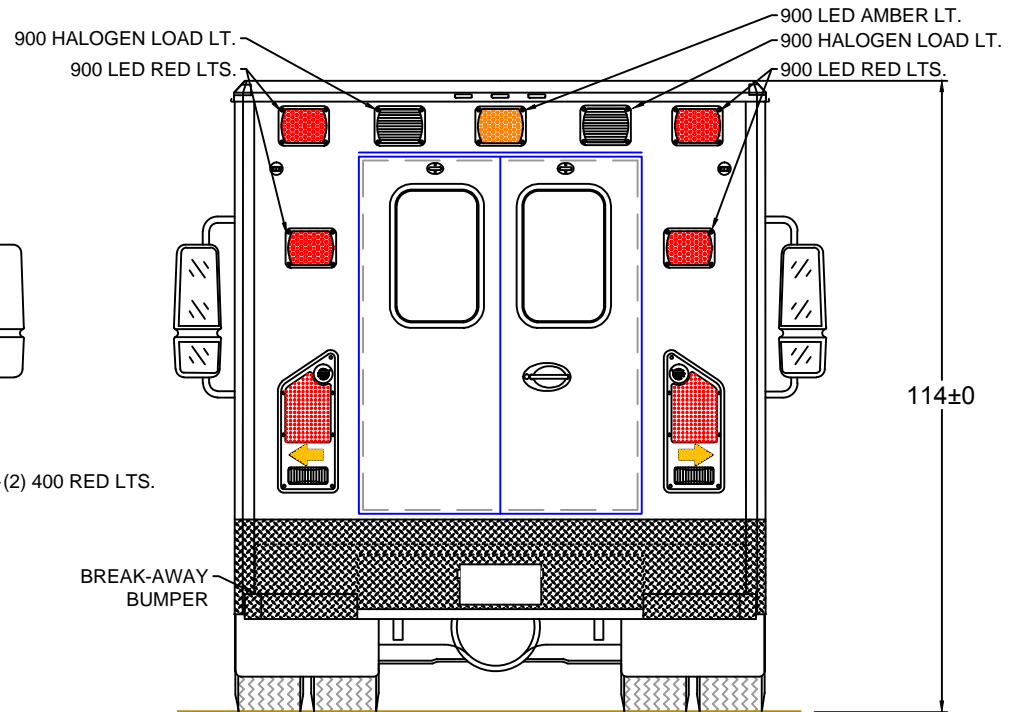
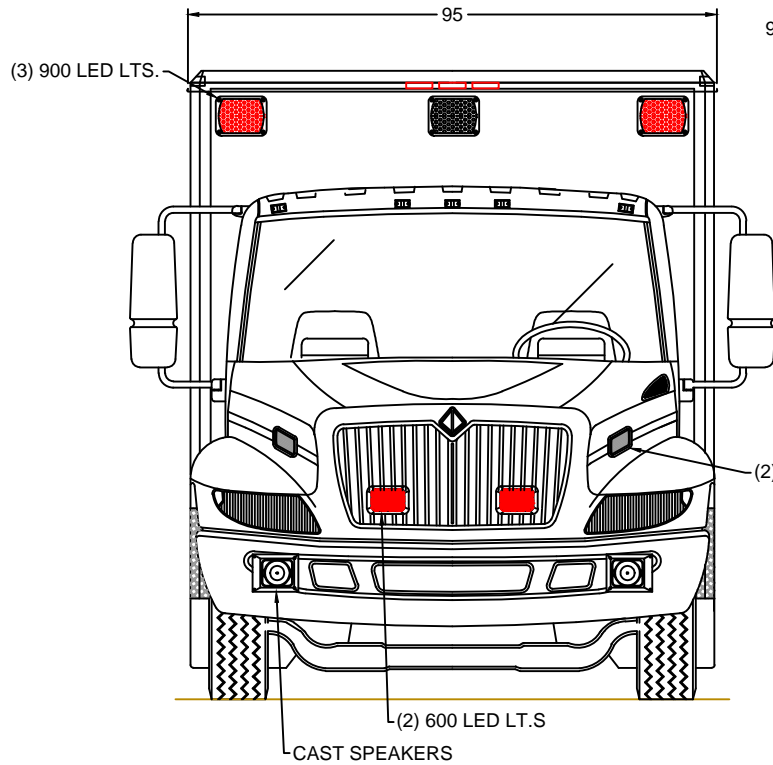


CA101472

INTERNATIONAL 4300

170 x 95 x 72



EXTERIOR COMPARTMENT DIMENSIONS IN INCHES

INTERIOR DIMENSIONS				PASS THRU		INTERIOR DIMENSIONS				JAMB OPENING	
COMPT.	HEIGHT	WIDTH	DEPTH	HEIGHT	WIDTH	COMPT.	HEIGHT	WIDTH	DEPTH	HEIGHT	WIDTH



INTERNATIONAL 4300
FRONT / REAR
EXTERIOR VIEWS

BE ADVISED THAT THESE ARE PRELIMINARY LAYOUTS INTENDED TO ILLUSTRATE DESIGN INTENT AND DIMENSIONS ARE FOR REFERENCE ONLY PRIOR TO FINAL ENGINEERING

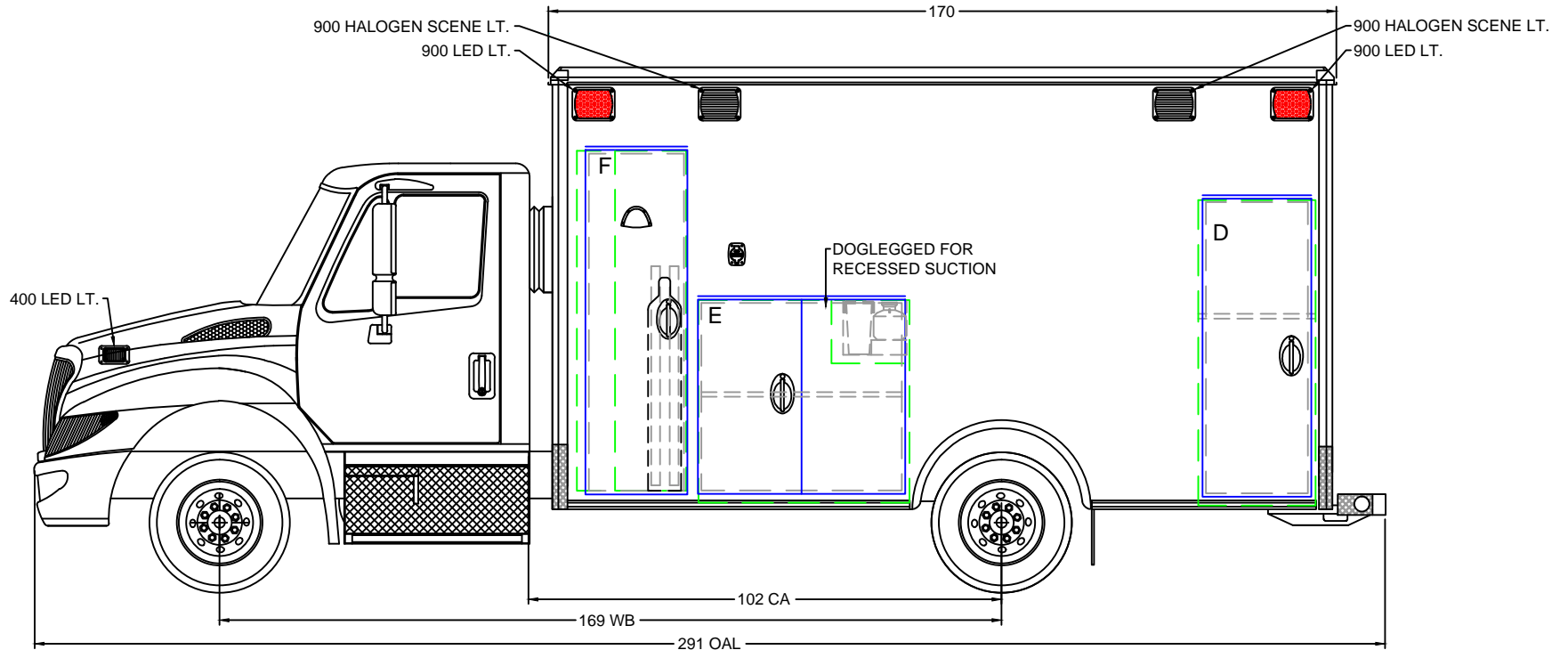
DATE:	05/10/18	SCALE
DWN BY:	SG	DWG NO 1 / 9

44" AISLE

CA101472

INTERNATIONAL 4300

170 x 95 x 72



BE ADVISED THAT THESE ARE PRELIMINARY LAYOUTS INTENDED TO ILLUSTRATE DESIGN INTENT AND DIMENSIONS ARE FOR REFERENCE ONLY PRIOR TO FINAL ENGINEERING

EXTERIOR COMPARTMENT DIMENSIONS IN INCHES

INTERIOR DIMENSIONS				JAMB OPENING		INTERIOR DIMENSIONS				JAMB OPENING	
COMPT.	HEIGHT	WIDTH	DEPTH	HEIGHT	WIDTH	COMPT.	HEIGHT	WIDTH	DEPTH	HEIGHT	WIDTH
D	65.75	25.25	19.50	62.75	22.00						
E	43.50	45.50	19.50	40.25	43.25						
F	73.25	23.50	19.50	72.75	20.50						



INTERNATIONAL 4300

LEFT EXT. VIEW

DATE 05/10/18

SCALE

DRAWN BY SG

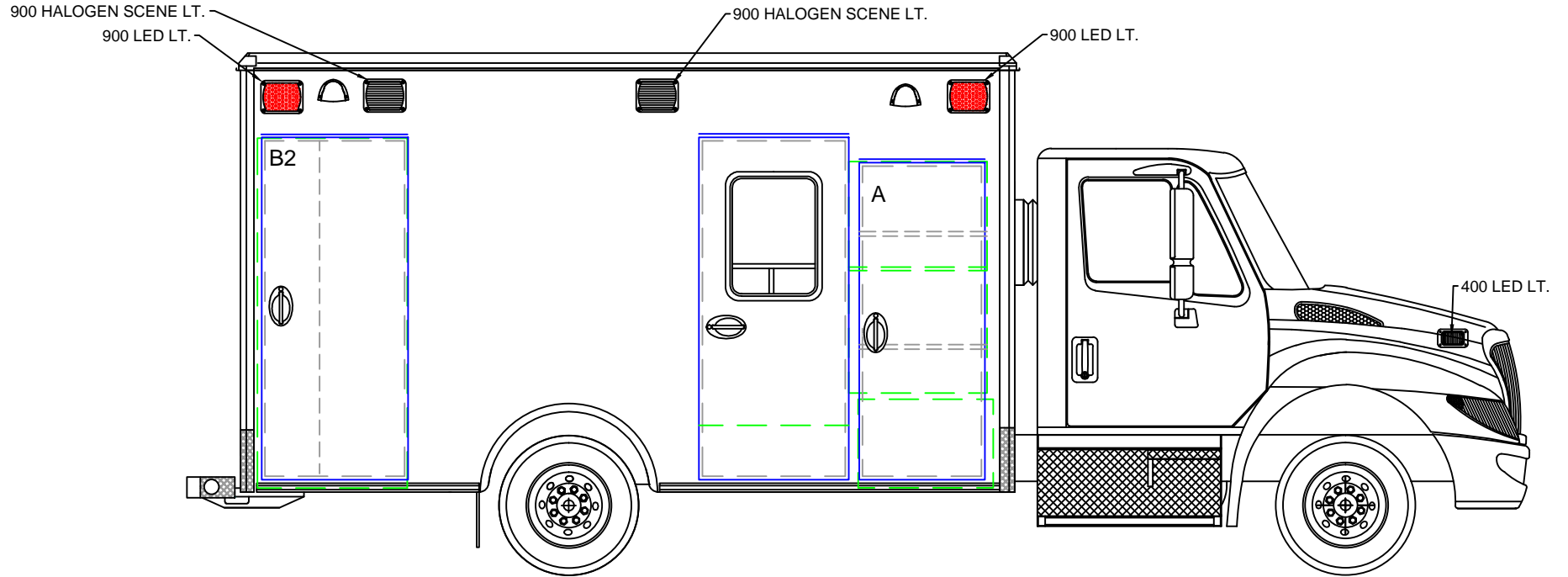
DWG NO 2 / 9

44" AISLE

CA101472


INTERNATIONAL 4300

170 x 95 x 72



BE ADVISED THAT THESE ARE PRELIMINARY LAYOUTS INTENDED TO ILLUSTRATE DESIGN INTENT AND DIMENSIONS ARE FOR REFERENCE ONLY PRIOR TO FINAL ENGINEERING

EXTERIOR COMPARTMENT DIMENSIONS IN INCHES											
INTERIOR DIMENSIONS				JAMB OPENING		INTERIOR DIMENSIONS				JAMB OPENING	
COMPT.	HEIGHT	WIDTH	DEPTH	HEIGHT	WIDTH	COMPT.	HEIGHT	WIDTH	DEPTH	HEIGHT	WIDTH
A	50.00	30.00	33.50	67.25	25.75						
LOWER-A	19.00	29.25	18.75								
B	76.00	32.50	22.00	72.75	30.25						
44" AISLE											



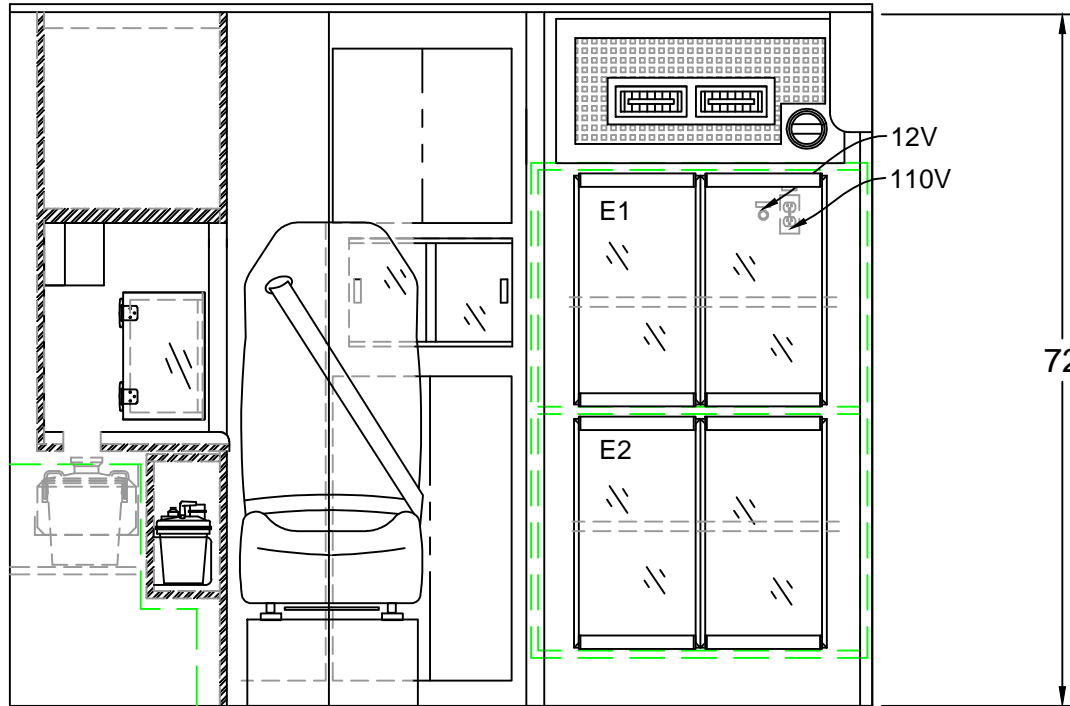
INTERNATIONAL 4300
RIGHT EXT. VIEW

DATE: 05/10/18 SCALE:
DRAWN BY: SG DWG NO: 3 / 9


CA101472

INTERNATIONAL 4300

170 x 95 x 72



BE ADVISED THAT THESE ARE PRELIMINARY LAYOUTS INTENDED TO ILLUSTRATE DESIGN INTENT AND DIMENSIONS ARE FOR REFERENCE ONLY PRIOR TO FINAL ENGINEERING

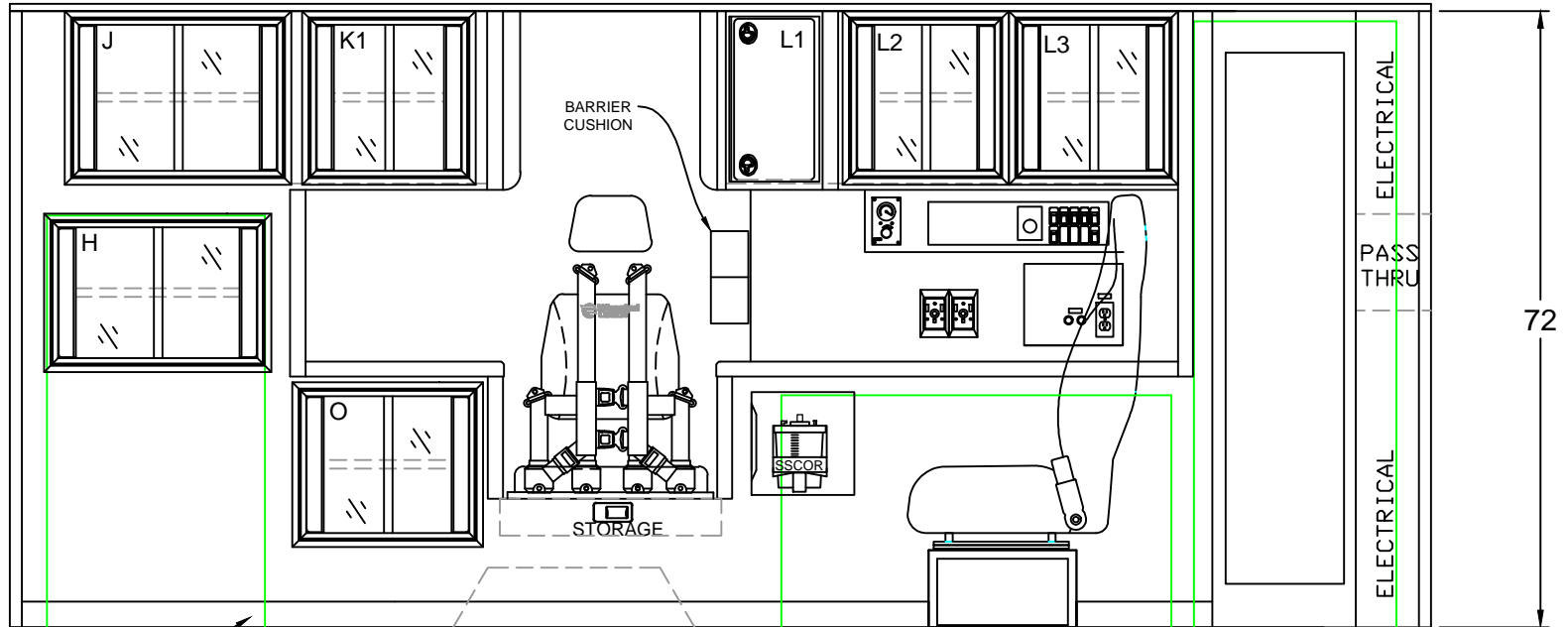
INTERIOR CABINET DIMENSIONS IN INCHES											
CABINET	HEIGHT	WIDTH	DEPTH	CABINET	HEIGHT	WIDTH	DEPTH				
E1	24.50	33.50	30.00								
E2	24.50	33.50	30.00								
44" AISLE								DATE	05/10/18	SCALE	
								DRAWN BY	SG	DWG NO	4 / 9

INTERNATIONAL 4300
BULKHEAD INTERIOR

CA101472

INTERNATIONAL 4300

170 x 95 x 72



3" ROLL UP FLOOR

INTERIOR CABINET DIMENSIONS IN INCHES

CABINET	HEIGHT	WIDTH	DEPTH		CABINET	HEIGHT	WIDTH	DEPTH	
H	17.00	26.00	IS/OS		L2	18.75	17.75	17.25	
J	18.75	25.00	19.50		O	17.75	20.75	19.50	
K1	18.75	18.75	14.00						
L1	19.00	13.50	17.25						
L2	18.75	17.75	17.25						

44" AISLE

BE ADVISED THAT THESE ARE PRELIMINARY LAYOUTS INTENDED TO ILLUSTRATE DESIGN INTENT AND DIMENSIONS ARE FOR REFERENCE ONLY PRIOR TO FINAL ENGINEERING



INTERNATIONAL 4300

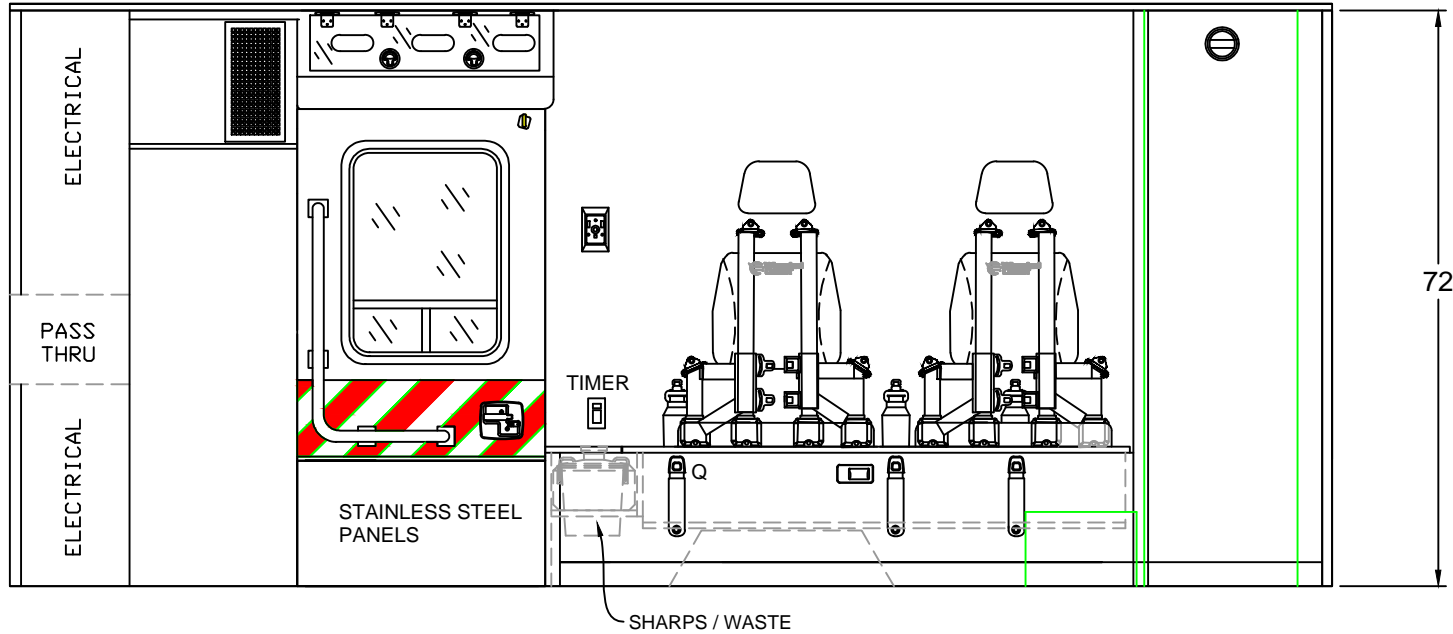
LEFT INTERIOR

DATE:	05/10/18	SCALE:	
DWN BY:	SG	DWG NO:	5 / 9

CA101472

INTERNATIONAL 4300

170 x 95 x 72



INTERIOR CABINET DIMENSIONS IN INCHES

COMPT.	HEIGHT	WIDTH	DEPTH		COMPT.	HEIGHT	WIDTH	DEPTH	

44" AISLE

BE ADVISED THAT THESE ARE PRELIMINARY LAYOUTS INTENDED TO ILLUSTRATE DESIGN INTENT AND DIMENSIONS ARE FOR REFERENCE ONLY PRIOR TO FINAL ENGINEERING



INTERNATIONAL 4300
RIGHT INTERIOR

DATE: 05/10/18

SCALE

DWG BY

SG

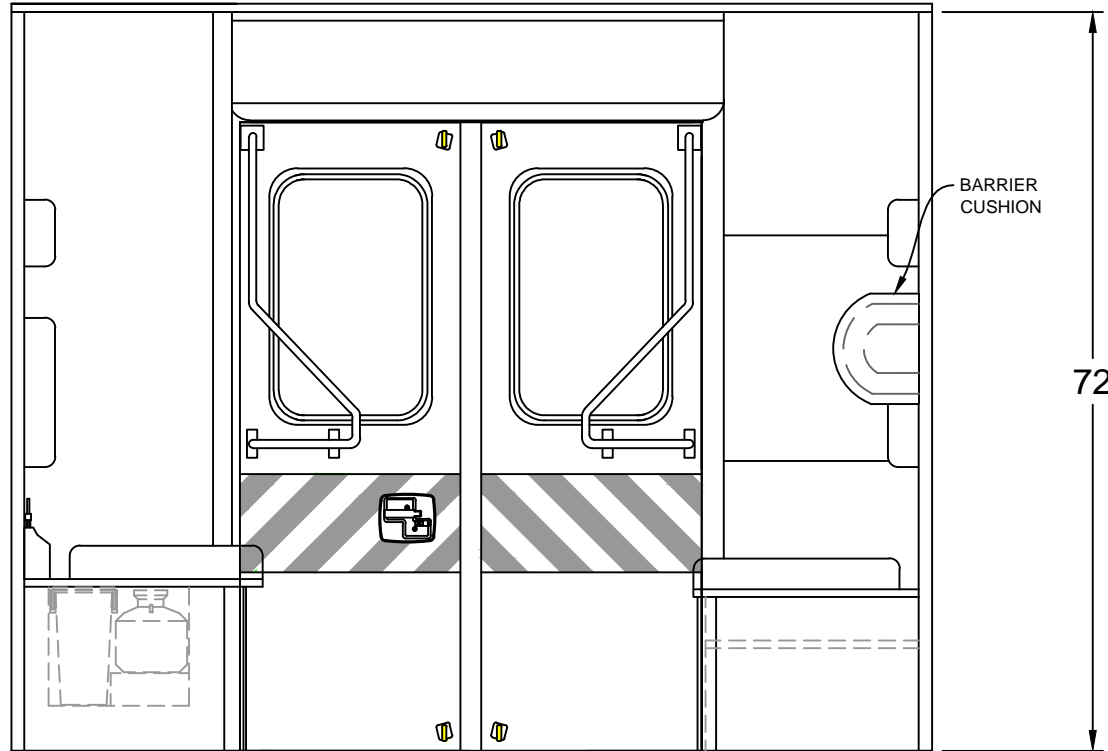
DWG NO

6 / 9

CA101472

INTERNATIONAL 4300

170 x 95 x 72



INTERIOR CABINET DIMENSIONS IN INCHES

COMPT.	HEIGHT	WIDTH	DEPTH	COMPT.	HEIGHT	WIDTH	DEPTH

44" AISLE

BE ADVISED THAT THESE ARE PRELIMINARY LAYOUTS INTENDED TO ILLUSTRATE DESIGN INTENT AND DIMENSIONS ARE FOR REFERENCE ONLY PRIOR TO FINAL ENGINEERING



INTERNATIONAL 4300

REAR BULKHEAD INTERIOR

DATE: 05/10/18

SCALE

DWGN BY

SG

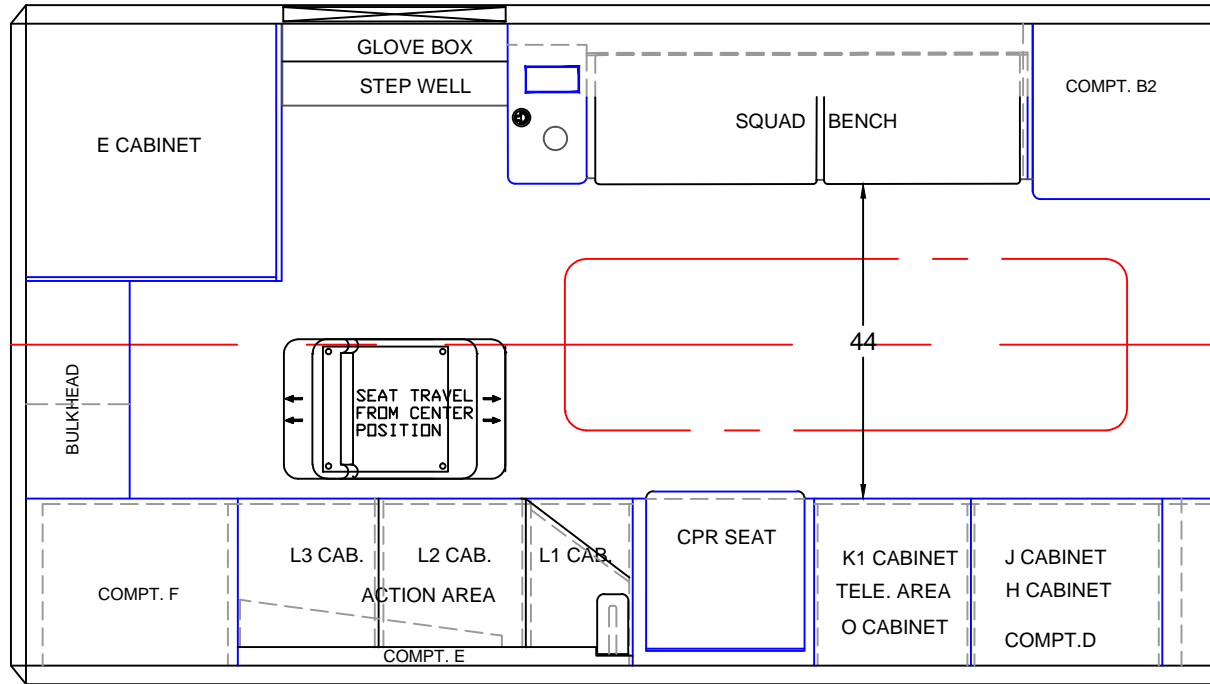
DWG NO

7 / 9

CA101472

INTERNATIONAL 4300

170 x 95 x 72



BE ADVISED THAT THESE ARE PRELIMINARY LAYOUTS INTENDED TO ILLUSTRATE DESIGN INTENT AND DIMENSIONS ARE FOR REFERENCE ONLY PRIOR TO FINAL ENGINEERING

INTERIOR CABINET DIMENSIONS IN INCHES

CABINET	HEIGHT	WIDTH	DEPTH	CABINET	HEIGHT	WIDTH	DEPTH



INTERNATIONAL 4300
FLOOR PLAN

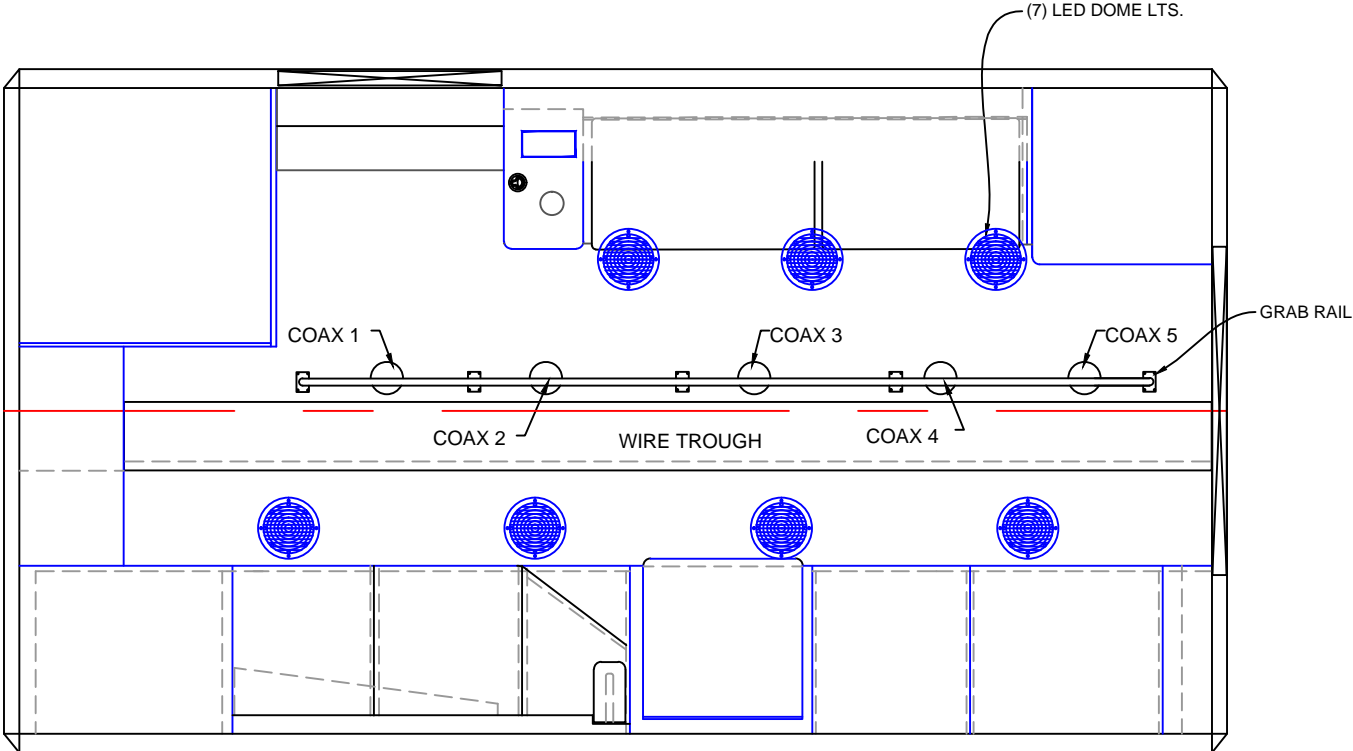
DATE: 05/10/18 SCALE
DWN BY: SG DWG NO: 8 / 9

44" AISLE


CA101472

INTERNATIONAL 4300

170 x 95 x 72



BE ADVISED THAT THESE ARE PRELIMINARY LAYOUTS INTENDED TO ILLUSTRATE DESIGN INTENT AND DIMENSIONS ARE FOR REFERENCE ONLY PRIOR TO FINAL ENGINEERING

INTERIOR CABINET DIMENSIONS IN INCHES								
CABINET	HEIGHT	WIDTH	DEPTH	CABINET	HEIGHT	WIDTH	DEPTH	
								INTERNATIONAL 4300
								LINER
								DATE: 05/10/18 SCALE
								DWN BY: SG DWG NO: 9 / 9

44" AISLE