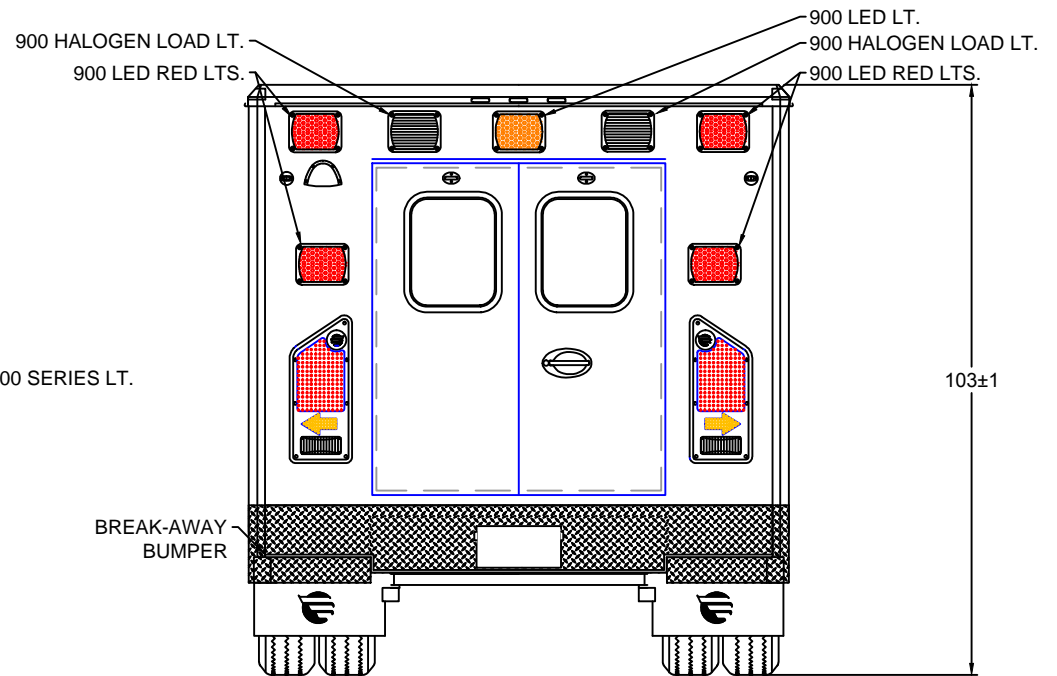
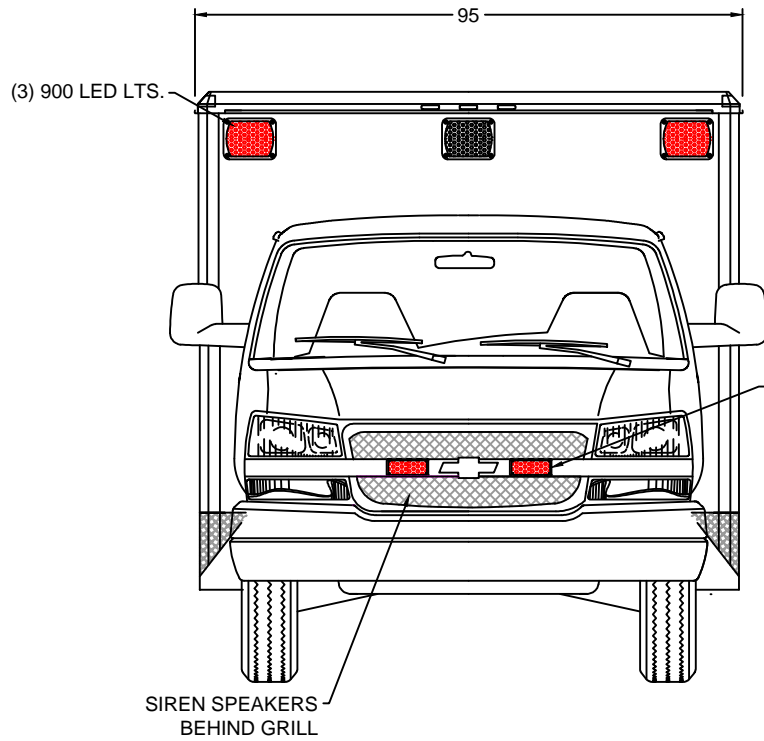


CA101228

MODEL 3153C

153 x 95 x 67



EXTERIOR COMPARTMENT DIMENSIONS IN INCHES

INTERIOR DIMENSIONS				PASS THRU		INTERIOR DIMENSIONS				JAMB OPENING	
COMPT.	HEIGHT	WIDTH	DEPTH	HEIGHT	WIDTH	COMPT.	HEIGHT	WIDTH	DEPTH	HEIGHT	WIDTH



TYPE 3 CHEVY
FRONT / REAR
EXTERIOR VIEWS

BE ADVISED THAT THESE ARE PRELIMINARY LAYOUTS INTENDED TO ILLUSTRATE DESIGN INTENT AND DIMENSIONS ARE FOR REFERENCE ONLY PRIOR TO FINAL ENGINEERING

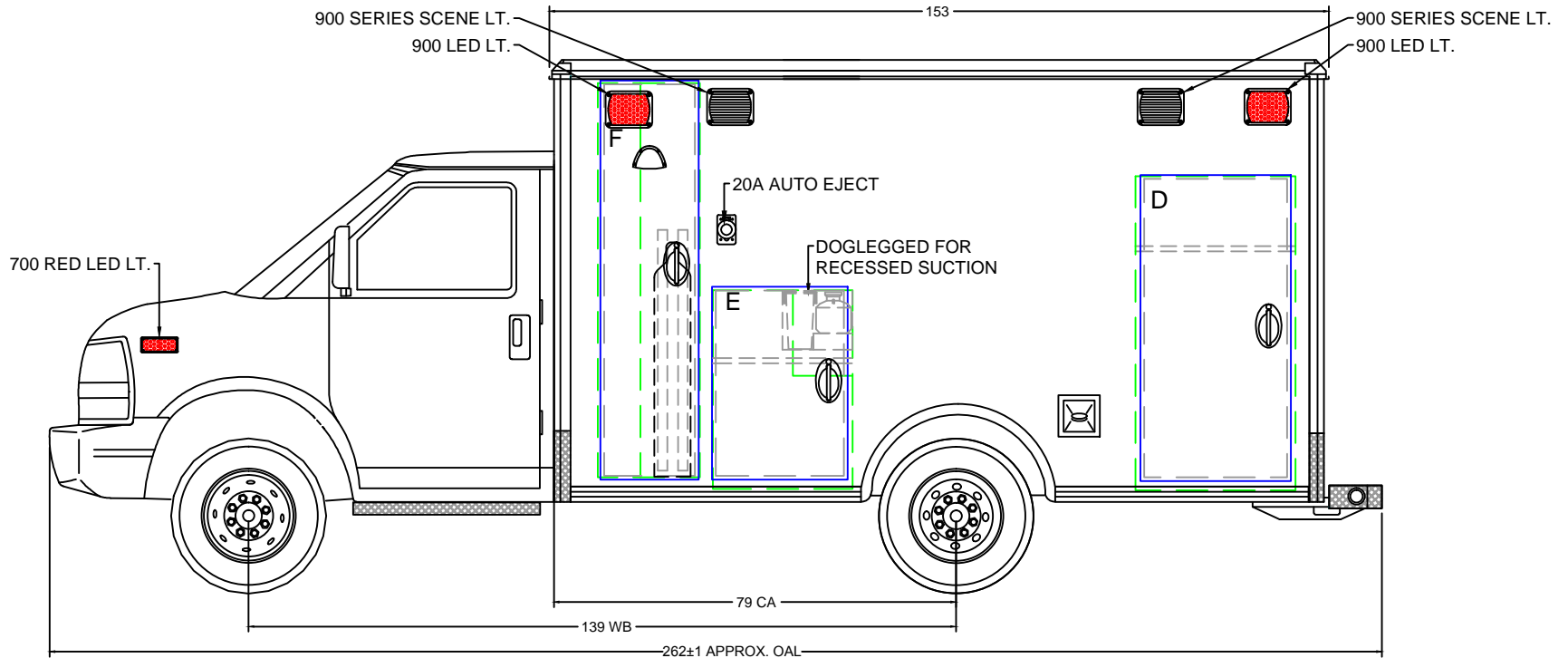
DATE:	04/19/18	SCALE:	
DWN BY:	SG	DWG NO:	1 / 9

50" AISLE

CA101228

MODEL 3153C

153 x 95 x 67



BE ADVISED THAT THESE ARE PRELIMINARY LAYOUTS INTENDED TO ILLUSTRATE DESIGN INTENT AND DIMENSIONS ARE FOR REFERENCE ONLY PRIOR TO FINAL ENGINEERING

EXTERIOR COMPARTMENT DIMENSIONS IN INCHES

INTERIOR DIMENSIONS				JAMB OPENING		INTERIOR DIMENSIONS				JAMB OPENING	
COMPT.	HEIGHT	WIDTH	DEPTH	HEIGHT	WIDTH	COMPT.	HEIGHT	WIDTH	DEPTH	HEIGHT	WIDTH
D	61.50	31.50	17.00	58.50	28.00						
E	39.00	27.50	17.00	37.00	25.00						
F	77.50	20.00	17.00	76.75	17.00						



TYPE 3 CHEVY

LEFT EXT. VIEW

DATE 04/19/18

SCALE

DRAWN BY SG

DWG NO

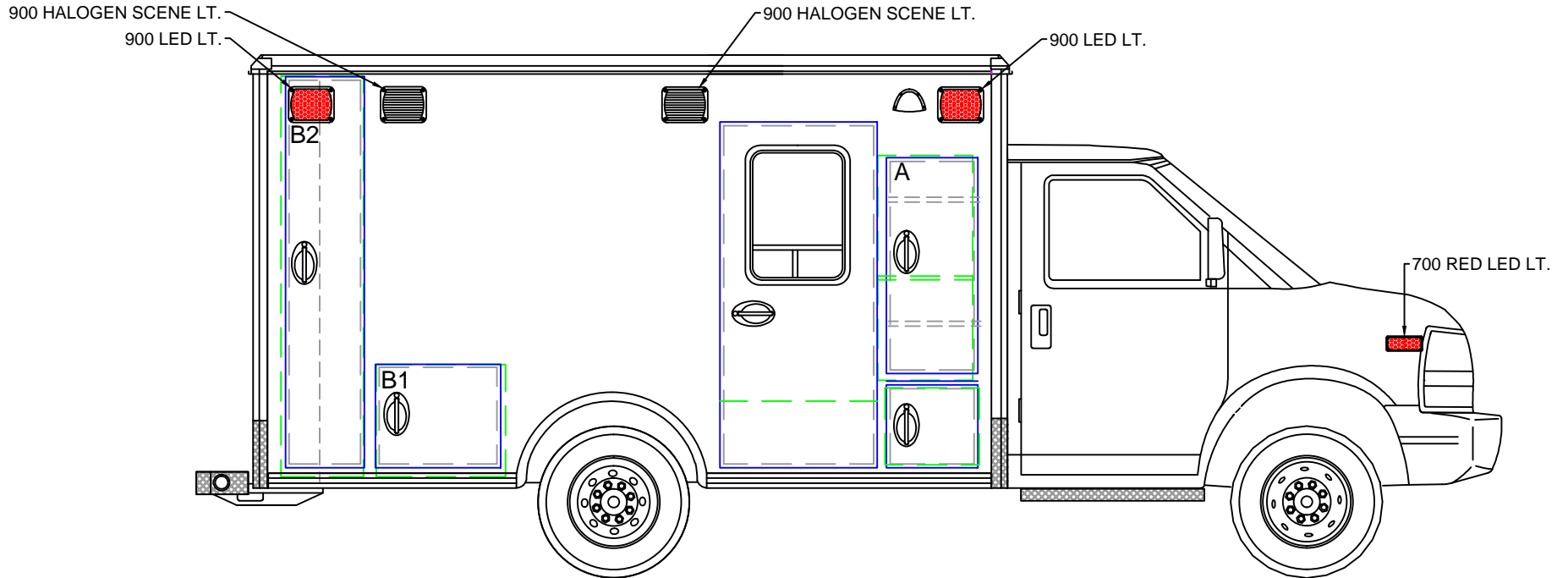
2 / 9

50" AISLE

CA101228

MODEL 3153C

153 x 95 x 67



BE ADVISED THAT THESE ARE PRELIMINARY LAYOUTS INTENDED TO ILLUSTRATE DESIGN INTENT AND DIMENSIONS ARE FOR REFERENCE ONLY PRIOR TO FINAL ENGINEERING

EXTERIOR COMPARTMENT DIMENSIONS IN INCHES

INTERIOR DIMENSIONS				JAMB OPENING		INTERIOR DIMENSIONS				JAMB OPENING	
COMPT.	HEIGHT	WIDTH	DEPTH	HEIGHT	WIDTH	COMPT.	HEIGHT	WIDTH	DEPTH	HEIGHT	WIDTH
A	45.00	19.00	33.50	41.75	16.75						
LOWER-A	15.25	19.00	18.75	15.00	16.75						
B1	22.50	26.00	15.50	19.50	23.50						
B2	80.25	16.50	18.25	76.75	14.25						

50" AISLE



TYPE 3 CHEVY

RIGHT EXT. VIEW

DATE 04/19/18

SCALE

DRAWN BY SG

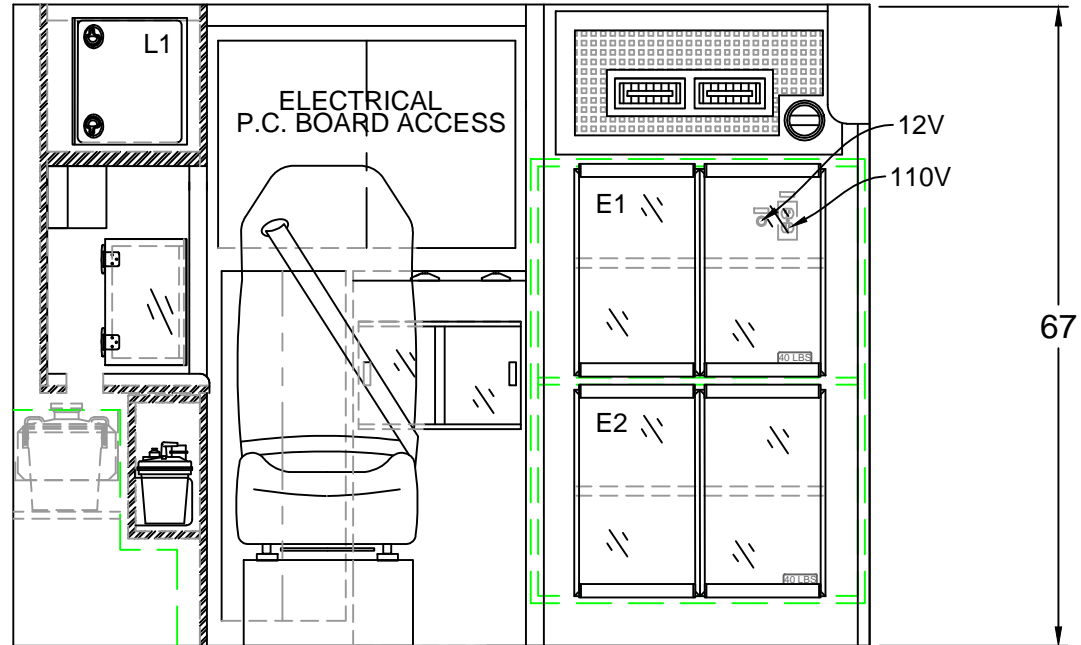
DWG NO

3 / 9

CA101228

MODEL 3153C

153 x 95 x 67



BE ADVISED THAT THESE ARE PRELIMINARY LAYOUTS INTENDED TO ILLUSTRATE DESIGN INTENT AND DIMENSIONS ARE FOR REFERENCE ONLY PRIOR TO FINAL ENGINEERING

CABINET WEIGHT RATINGS:
NON-RESTOCKING = 40 LBS.
RESTOCKING = 30 LBS.

INTERIOR CABINET DIMENSIONS IN INCHES

CABINET	HEIGHT	WIDTH	DEPTH	CABINET	HEIGHT	WIDTH	DEPTH
E1	22.00	33.50	19.00				
E2	22.00	33.50	19.00				



TYPE 3 CHEVY
BULKHEAD INTERIOR

DATE 04/19/18

SCALE

DRAWN BY SG

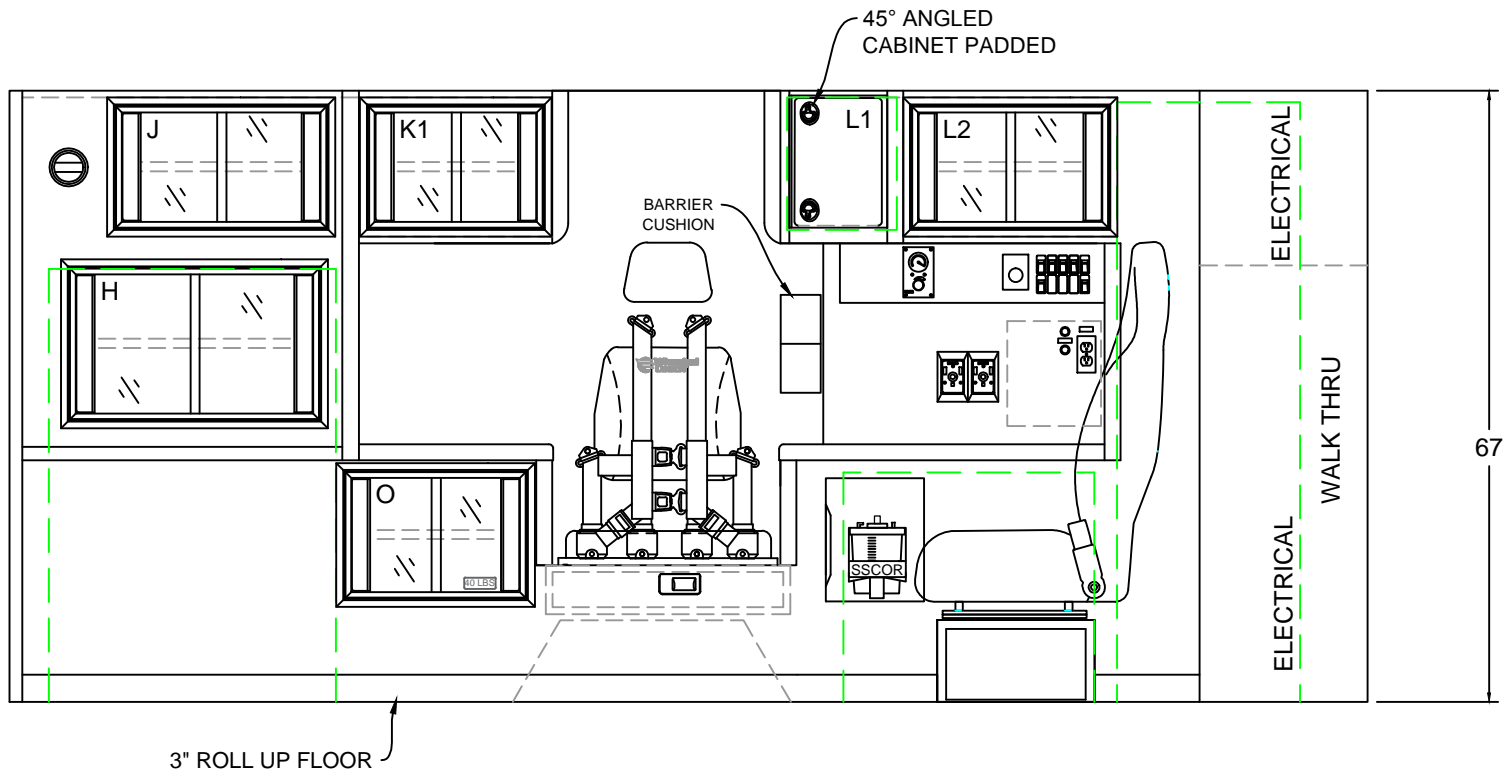
DWG NO 4 / 9

50" AISLE

CA101228

MODEL 3153C

153 x 95 x 67



INTERIOR CABINET DIMENSIONS IN INCHES

CABINET	HEIGHT	WIDTH	DEPTH		CABINET	HEIGHT	WIDTH	DEPTH	
H	17.00	27.75	IS/OS		L2	13.75	22.00	15.25	
J	13.75	23.50	17.50		O	14.25	20.25	17.50	
K1	13.75	19.50	17.50						
L1	14.50	12.00	15.25						

50" AISLE

CABINET WEIGHT RATINGS:
 NON-RESTOCKING = 40 LBS.
 RESTOCKING = 30 LBS.

BE ADVISED THAT THESE ARE PRELIMINARY LAYOUTS INTENDED TO ILLUSTRATE DESIGN INTENT AND DIMENSIONS ARE FOR REFERENCE ONLY PRIOR TO FINAL ENGINEERING



TYPE 3 CHEVY

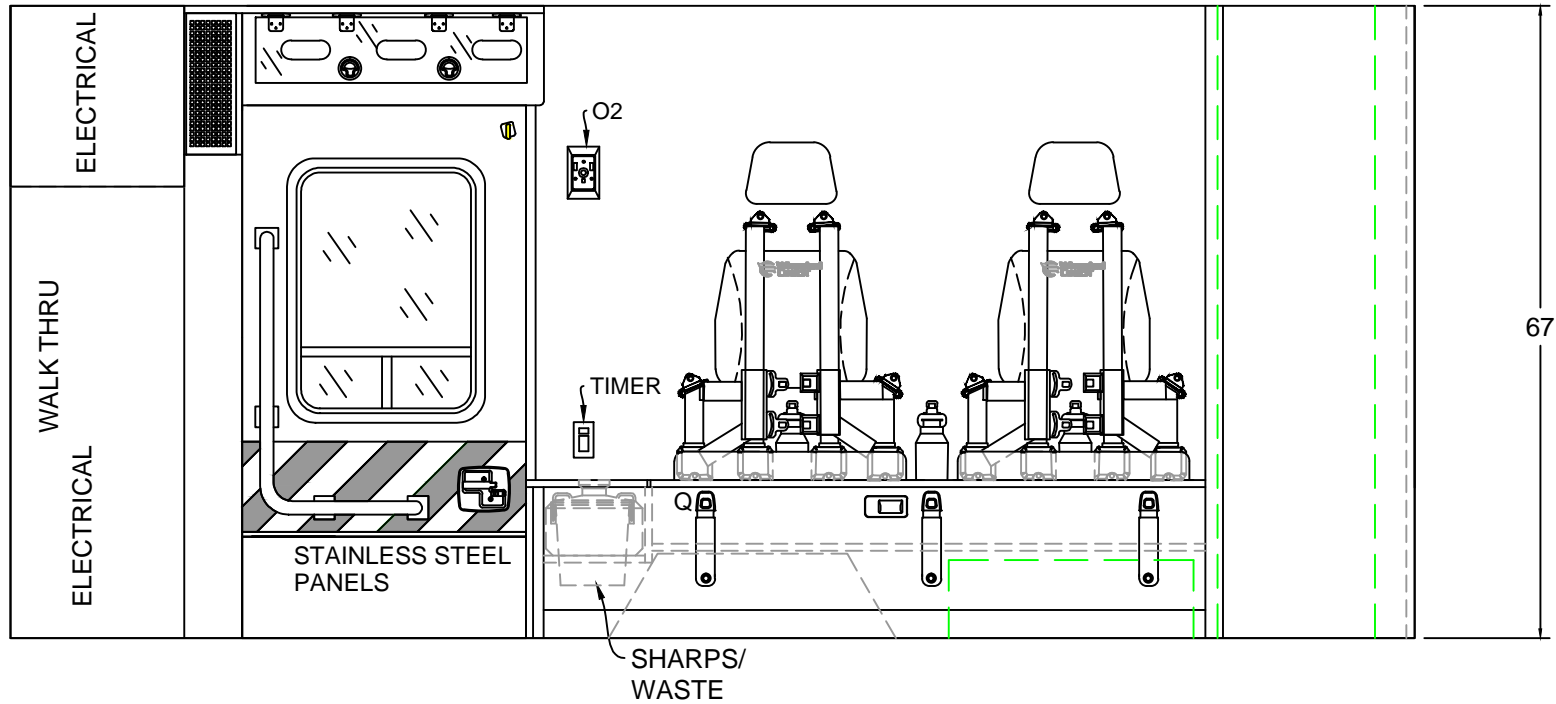
LEFT INTERIOR

DATE:	04/19/18	SCALE:	
DWN BY:	SG	DWG NO:	5 / 9

CA101228

MODEL 3153C

153 x 95 x 67



INTERIOR CABINET DIMENSIONS IN INCHES

COMPT.	HEIGHT	WIDTH	DEPTH	COMPT.	HEIGHT	WIDTH	DEPTH
Q	6.00	58.00	16.75				

50" AISLE

CABINET WEIGHT RATINGS:
NON-RESTOCKING = 40 LBS.
RESTOCKING = 30 LBS.

BE ADVISED THAT THESE ARE PRELIMINARY LAYOUTS INTENDED TO ILLUSTRATE DESIGN INTENT AND DIMENSIONS ARE FOR REFERENCE ONLY PRIOR TO FINAL ENGINEERING



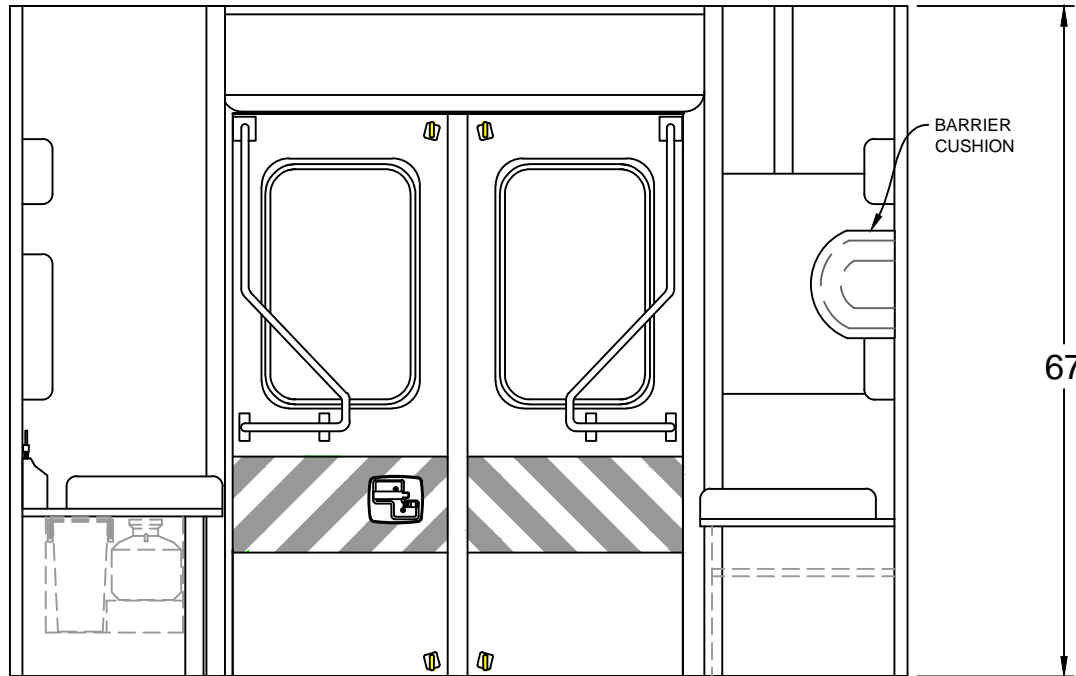
TYPE 3 CHEVY
RIGHT INTERIOR

DATE: 04/19/18	SCALE:
DWGN BY: SG	DWG NO: 6 / 9

CA101228

MODEL 3153C

153 x 95 x 67



INTERIOR CABINET DIMENSIONS IN INCHES



COMPT.	HEIGHT	WIDTH	DEPTH		COMPT.	HEIGHT	WIDTH	DEPTH	

TYPE 3 CHEVY
REAR BULKHEAD INTERIOR

DATE: 04/19/18 SCALE

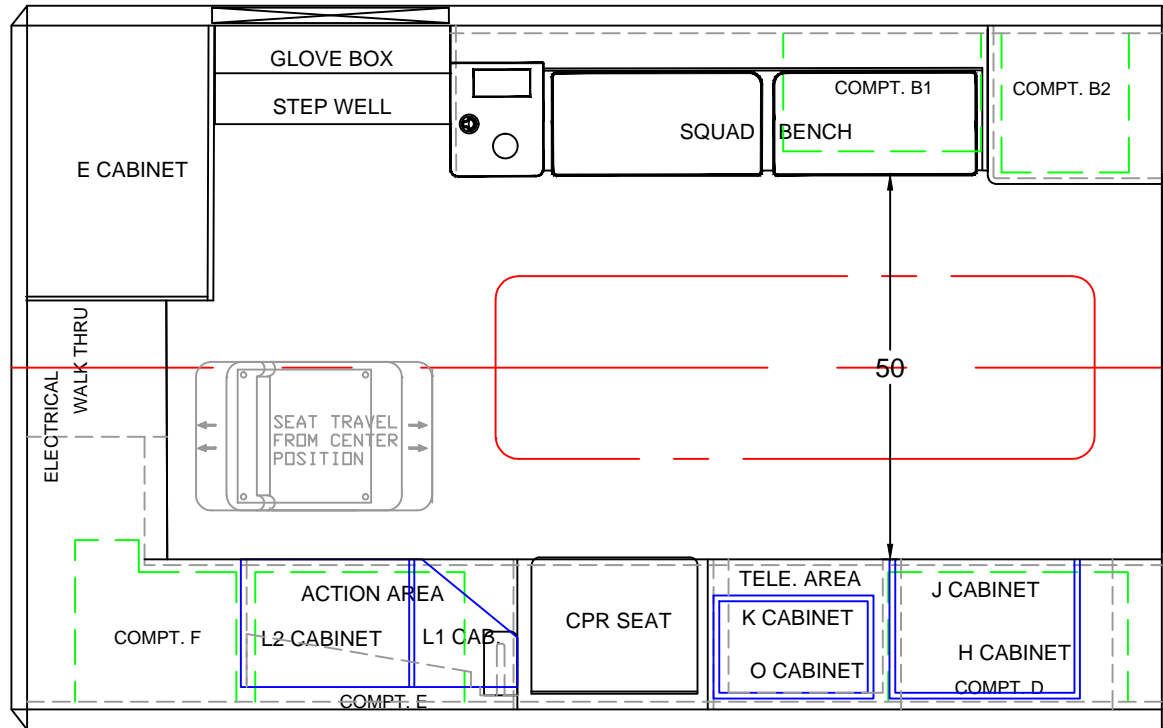
50" AISLE
CABINET WEIGHT RATINGS:
NON-RESTOCKING = 40 LBS.
RESTOCKING = 30 LBS.
BE ADVISED THAT THESE ARE PRELIMINARY LAYOUTS INTENDED TO ILLUSTRATE DESIGN INTENT AND DIMENSIONS ARE FOR REFERENCE ONLY PRIOR TO FINAL ENGINEERING

OWN BY: SG DWG NO: 7 / 9

CA101228

MODEL 3153C

153 x 95 x 67



BE ADVISED THAT THESE ARE PRELIMINARY LAYOUTS INTENDED TO ILLUSTRATE DESIGN INTENT AND DIMENSIONS ARE FOR REFERENCE ONLY PRIOR TO FINAL ENGINEERING

INTERIOR CABINET DIMENSIONS IN INCHES

CABINET	HEIGHT	WIDTH	DEPTH	CABINET	HEIGHT	WIDTH	DEPTH



TYPE 3 CHEVY
FLOOR PLAN

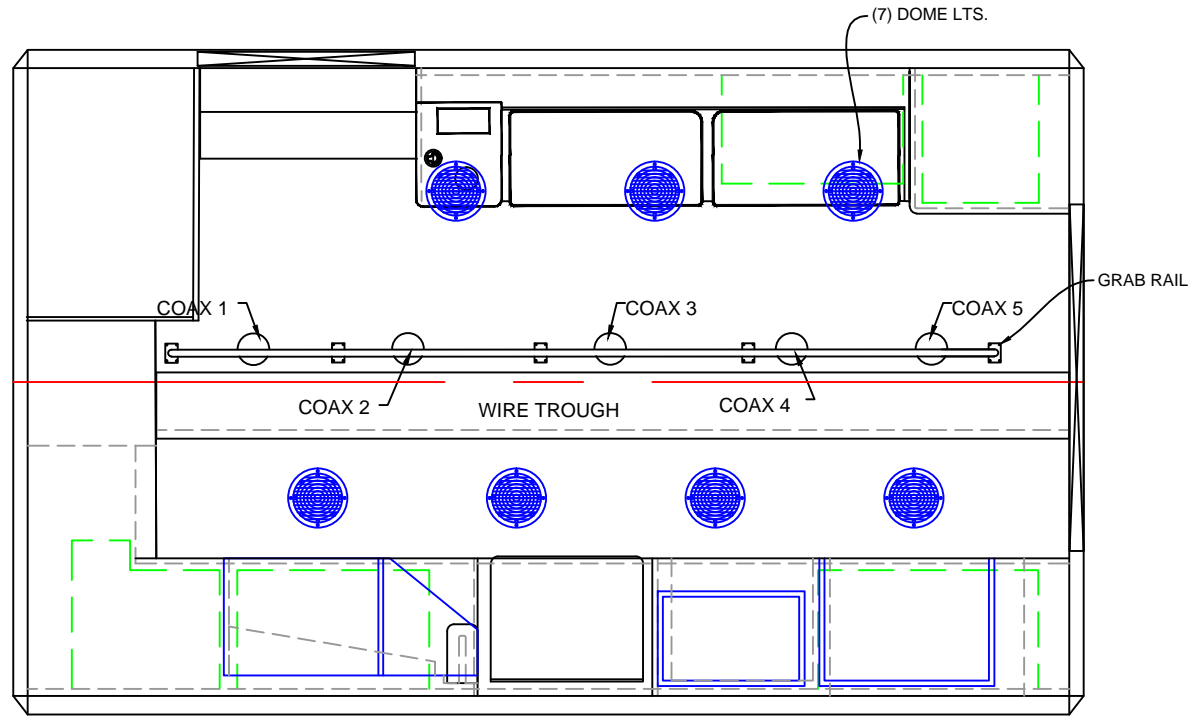
DATE:	04/19/18	SCALE:	
DWN BY:	SG	DWG NO:	8 / 9

50" AISLE

CA101228

MODEL 3153C

153 x 95 x 67



BE ADVISED THAT THESE ARE PRELIMINARY LAYOUTS INTENDED TO ILLUSTRATE DESIGN INTENT AND DIMENSIONS ARE FOR REFERENCE ONLY PRIOR TO FINAL ENGINEERING

INTERIOR CABINET DIMENSIONS IN INCHES

CABINET	HEIGHT	WIDTH	DEPTH	CABINET	HEIGHT	WIDTH	DEPTH



TYPE 3 CHEVY
LINER

DATE: 04/19/18 SCALE:
DWN BY: SG DWG NO: 9 / 9

50" AISLE