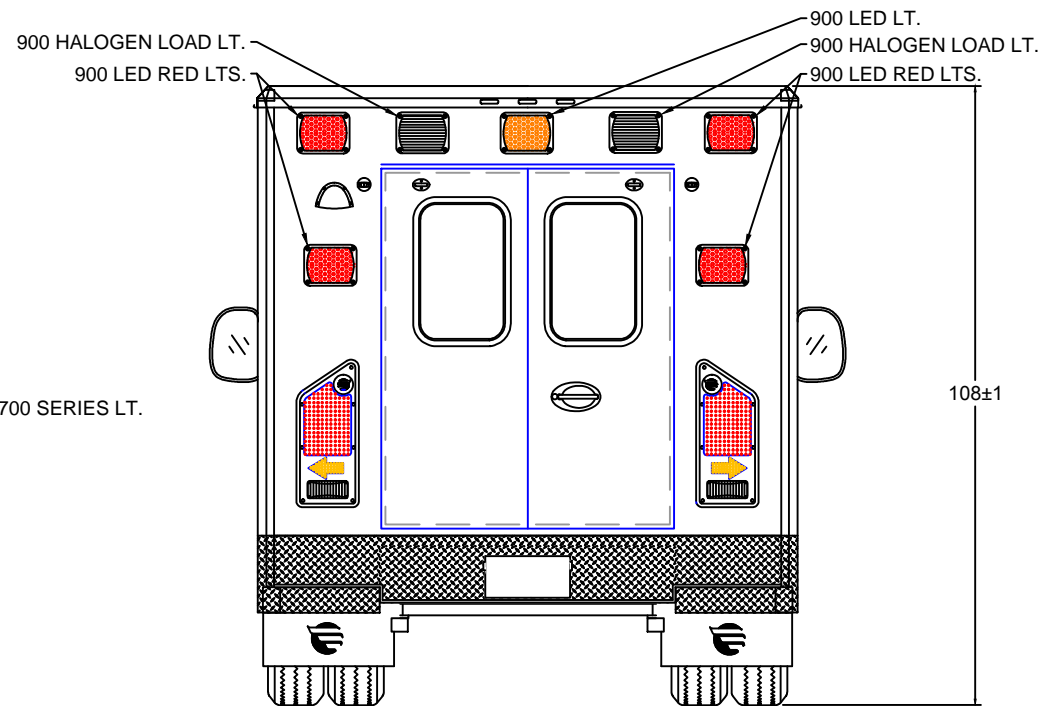
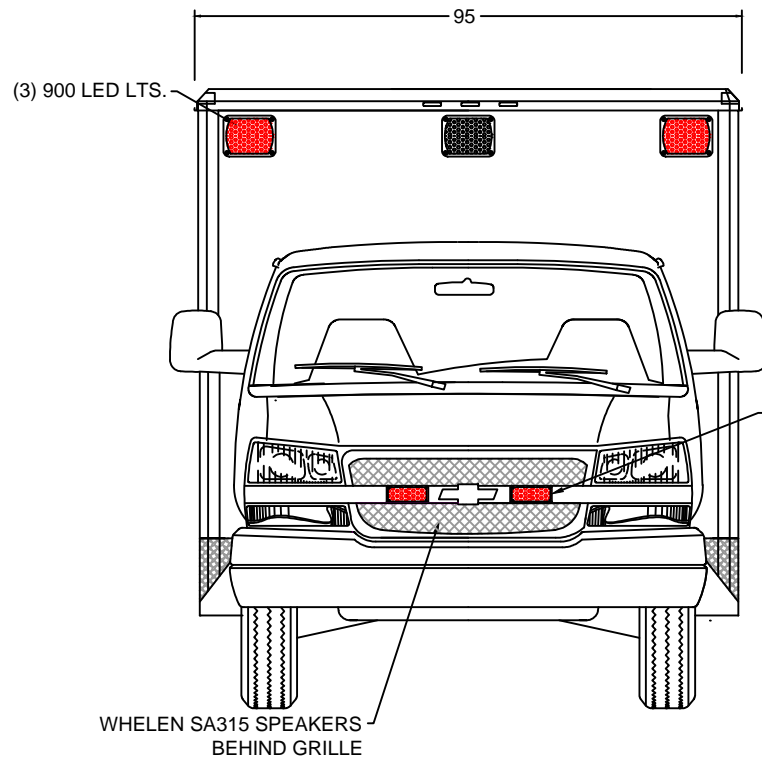


CA101220

MODEL 3170C

170 x 95 x 72



EXTERIOR COMPARTMENT DIMENSIONS IN INCHES

INTERIOR DIMENSIONS				PASS THRU		INTERIOR DIMENSIONS				JAMB OPENING	
COMPT.	HEIGHT	WIDTH	DEPTH	HEIGHT	WIDTH	COMPT.	HEIGHT	WIDTH	DEPTH	HEIGHT	WIDTH



TYPE 3 CHEVY
FRONT / REAR
EXTERIOR VIEWS

BE ADVISED THAT THESE ARE PRELIMINARY LAYOUTS INTENDED TO ILLUSTRATE DESIGN INTENT AND DIMENSIONS ARE FOR REFERENCE ONLY PRIOR TO FINAL ENGINEERING

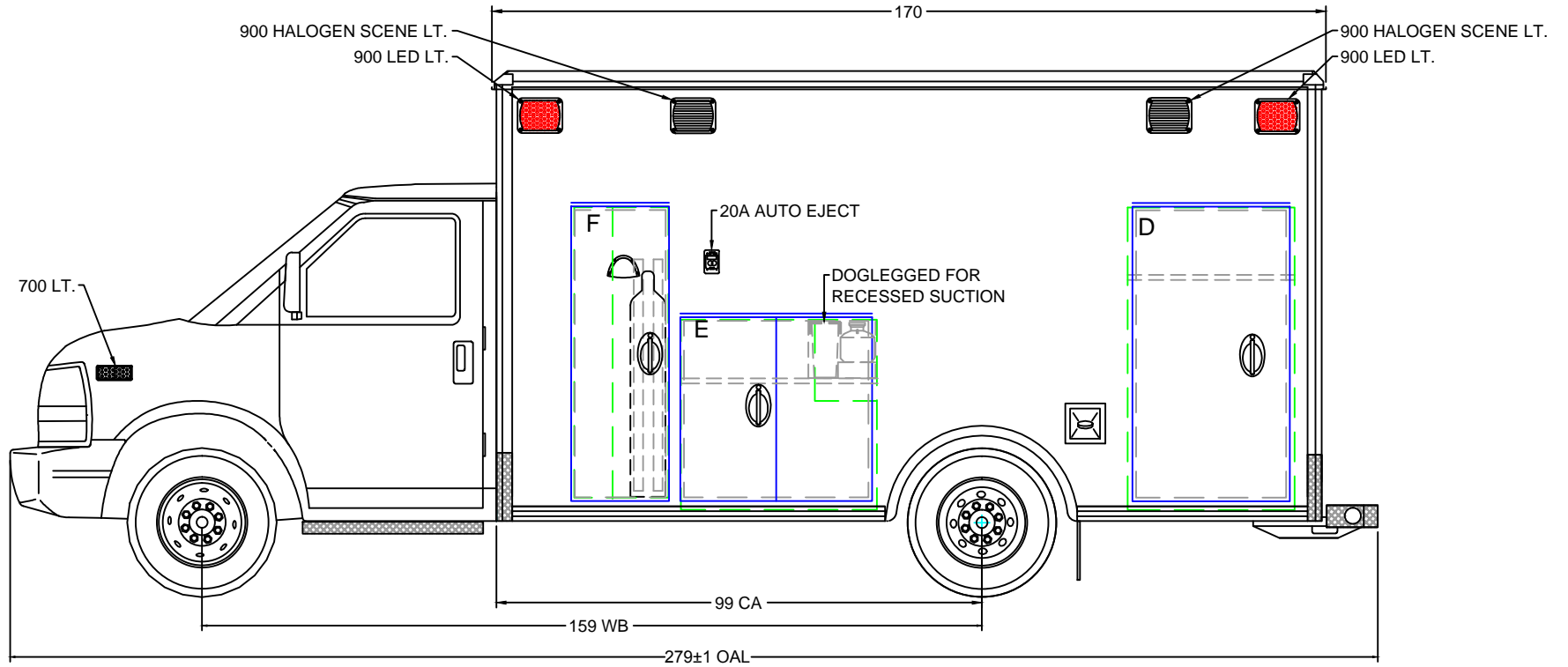
DATE:	04/19/18	SCALE
DWN BY:	SG	DWG NO 1 / 9

50" AISLE

CA101220


MODEL 3170C

170 x 95 x 72



BE ADVISED THAT THESE ARE PRELIMINARY LAYOUTS INTENDED TO ILLUSTRATE DESIGN INTENT AND DIMENSIONS ARE FOR REFERENCE ONLY PRIOR TO FINAL ENGINEERING

EXTERIOR COMPARTMENT DIMENSIONS IN INCHES											
INTERIOR DIMENSIONS				JAMB OPENING		INTERIOR DIMENSIONS				JAMB OPENING	
COMPT.	HEIGHT	WIDTH	DEPTH	HEIGHT	WIDTH	COMPT.	HEIGHT	WIDTH	DEPTH	HEIGHT	WIDTH
D	61.50	34.00	17.00	58.50	30.50						
E	39.00	40.00	17.00	37.00	37.50						
F	59.00	19.00	21.75/17.00	58.50	18.50						
50" AISLE											



Wheeled Coach

TYPE 3 CHEVY

LEFT EXT. VIEW

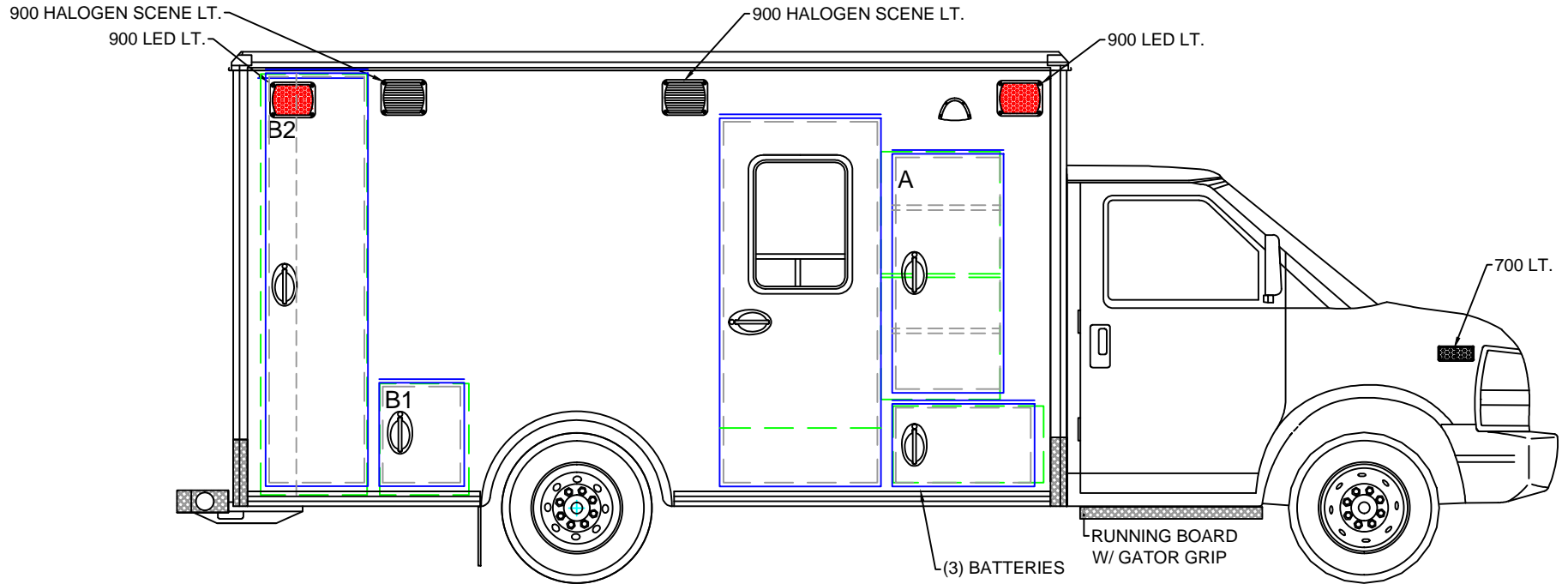
DATE 04/19/18 SCALE

DRAWN BY SG DWG NO 2 / 9


CA101220

MODEL 3170C

170 x 95 x 72



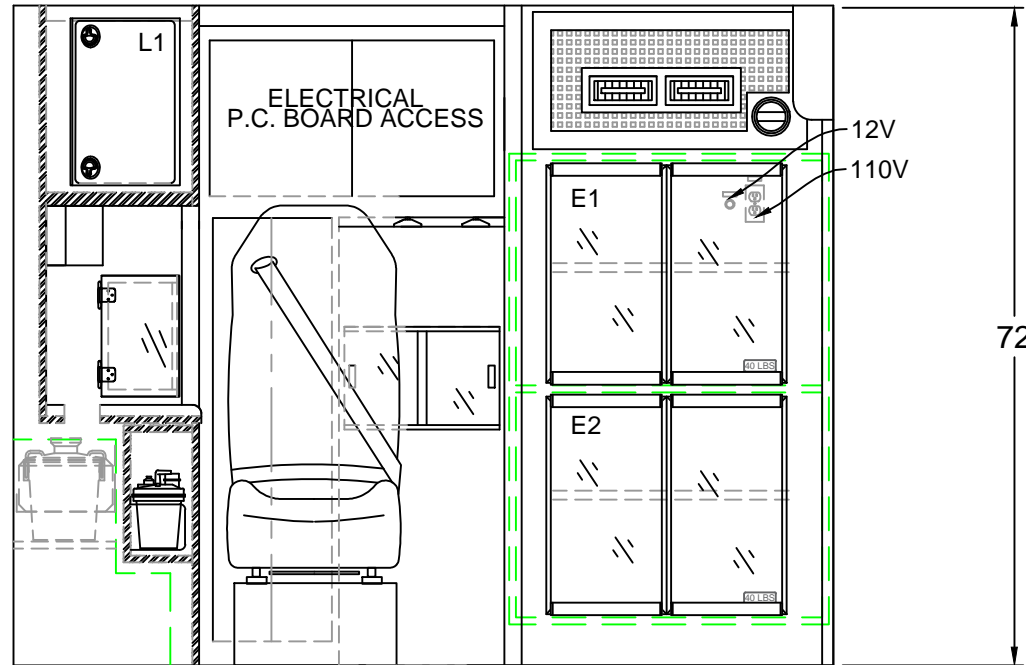
BE ADVISED THAT THESE ARE PRELIMINARY LAYOUTS INTENDED TO ILLUSTRATE DESIGN INTENT AND DIMENSIONS ARE FOR REFERENCE ONLY PRIOR TO FINAL ENGINEERING

EXTERIOR COMPARTMENT DIMENSIONS IN INCHES												
INTERIOR DIMENSIONS				JAMB OPENING		INTERIOR DIMENSIONS				JAMB OPENING		
COMPT.	HEIGHT	WIDTH	DEPTH	HEIGHT	WIDTH	COMPT.	HEIGHT	WIDTH	DEPTH	HEIGHT	WIDTH	
A	50.00	24.00	33.50	46.75	21.00							
LOWER-A	15.50	30.25	19.00	15.00	27.25							
B1	22.50	18.00	15.50	19.25	15.50							
B2	85.00	21.50	18.25	81.75	19.00							
50" AISLE												

CA101220

MODEL 3170C

170 x 95 x 72



BE ADVISED THAT THESE ARE PRELIMINARY LAYOUTS INTENDED TO ILLUSTRATE DESIGN INTENT AND DIMENSIONS ARE FOR REFERENCE ONLY PRIOR TO FINAL ENGINEERING

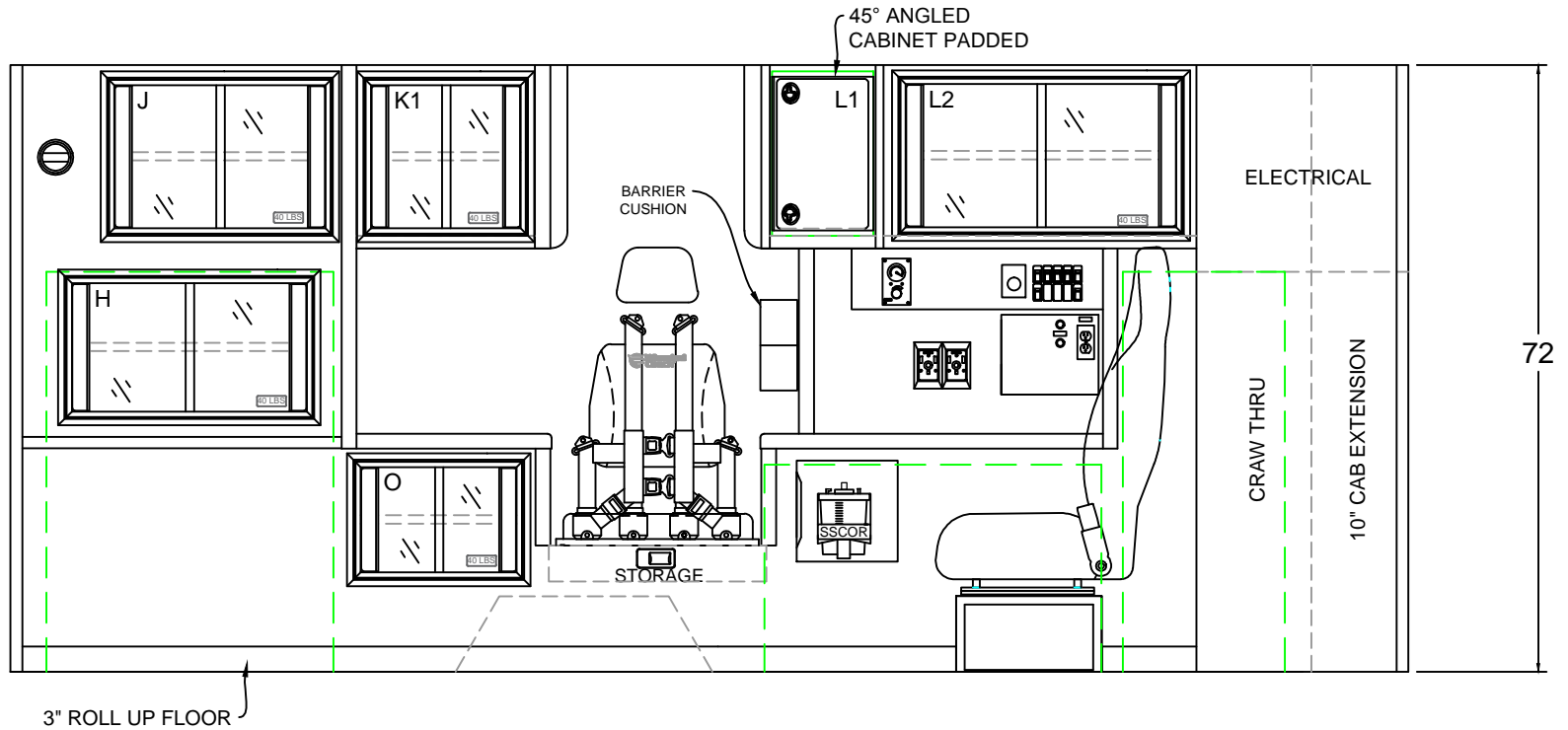
<p>CABINET WEIGHT RATINGS: NON-RESTOCKING = 40 LBS. RESTOCKING = 30 LBS.</p>	<p>INTERIOR CABINET DIMENSIONS IN INCHES</p>								
	CABINET	HEIGHT	WIDTH	DEPTH	CABINET	HEIGHT	WIDTH	DEPTH	
	E1	24.50	33.50	24.00					
	E2	24.50	33.50	24.00					<p>TYPE 3 CHEVY BULKHEAD INTERIOR</p>
								DATE 04/19/18	SCALE
								DRAWN BY SG	DWG NO 4 / 9

50" AISLE

CA101220

MODEL 3170C

170 x 95 x 72



INTERIOR CABINET DIMENSIONS IN INCHES

CABINET	HEIGHT	WIDTH	DEPTH		CABINET	HEIGHT	WIDTH	DEPTH	
H	17.00	29.50	IS/OS		O	14.25	17.50		
J	18.75	26.75	17.50		CPR SEAT	4.25	21.25	17.50	
K1	18.75	19.50	12.00						
L1	19.25	12.00	15.25						
L2	18.75	33.75	15.25						



TYPE 3 CHEVY

LEFT INTERIOR

DATE:	04/19/18	SCALE:	
DWN BY:	SG	DWG NO:	5 / 9

50" AISLE

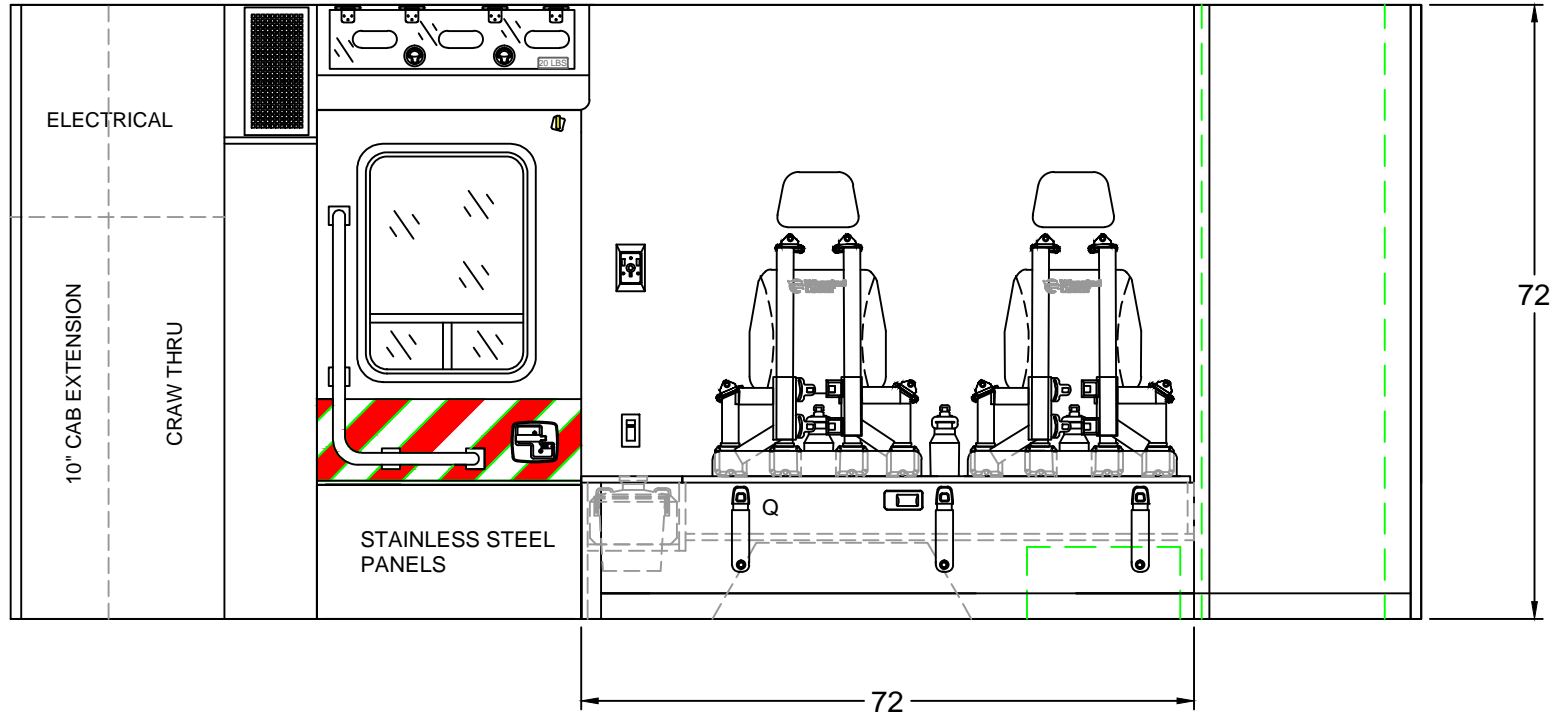
CABINET WEIGHT RATINGS:
NON-RESTOCKING = 40 LBS.
RESTOCKING = 30 LBS.

BE ADVISED THAT THESE ARE PRELIMINARY LAYOUTS INTENDED TO ILLUSTRATE DESIGN INTENT AND DIMENSIONS ARE FOR REFERENCE ONLY PRIOR TO FINAL ENGINEERING

CA101220

MODEL 3170C

170 x 95 x 72



INTERIOR CABINET DIMENSIONS IN INCHES



COMPT.	HEIGHT	WIDTH	DEPTH		COMPT.	HEIGHT	WIDTH	DEPTH	
Q	6.00	59.00	16.75						

TYPE 3 CHEVY
RIGHT INTERIOR

DATE: 04/19/18 SCALE
 DRAWN BY: SG DWG NO: 6 / 9

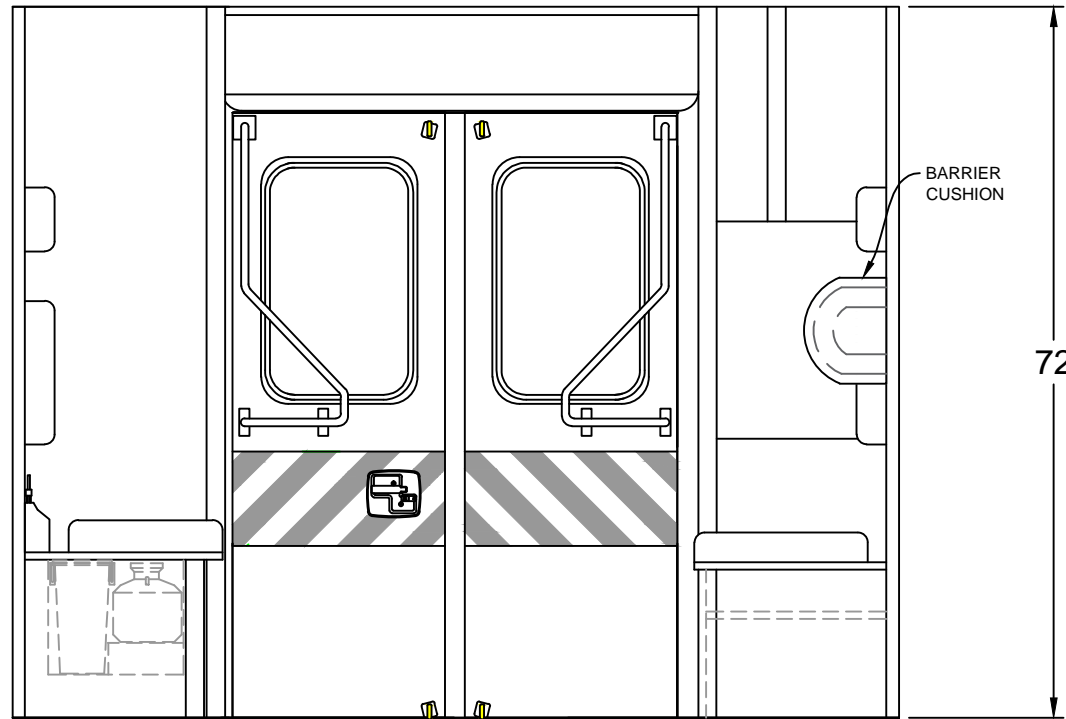
50" AISLE
 CABINET WEIGHT RATINGS:
 NON-RESTOCKING = 40 LBS.
 RESTOCKING = 30 LBS.

BE ADVISED THAT THESE ARE PRELIMINARY LAYOUTS INTENDED TO ILLUSTRATE DESIGN INTENT AND DIMENSIONS ARE FOR REFERENCE ONLY PRIOR TO FINAL ENGINEERING

CA101220

MODEL 3170C

170 x 95 x 72



INTERIOR CABINET DIMENSIONS IN INCHES



TYPE 3 CHEVY

REAR BULKHEAD INTERIOR

DATE: 04/19/18 SCALE

DWY BY: SG DWG NO: 7 / 9

COMPT.	HEIGHT	WIDTH	DEPTH		COMPT.	HEIGHT	WIDTH	DEPTH	

50" AISLE

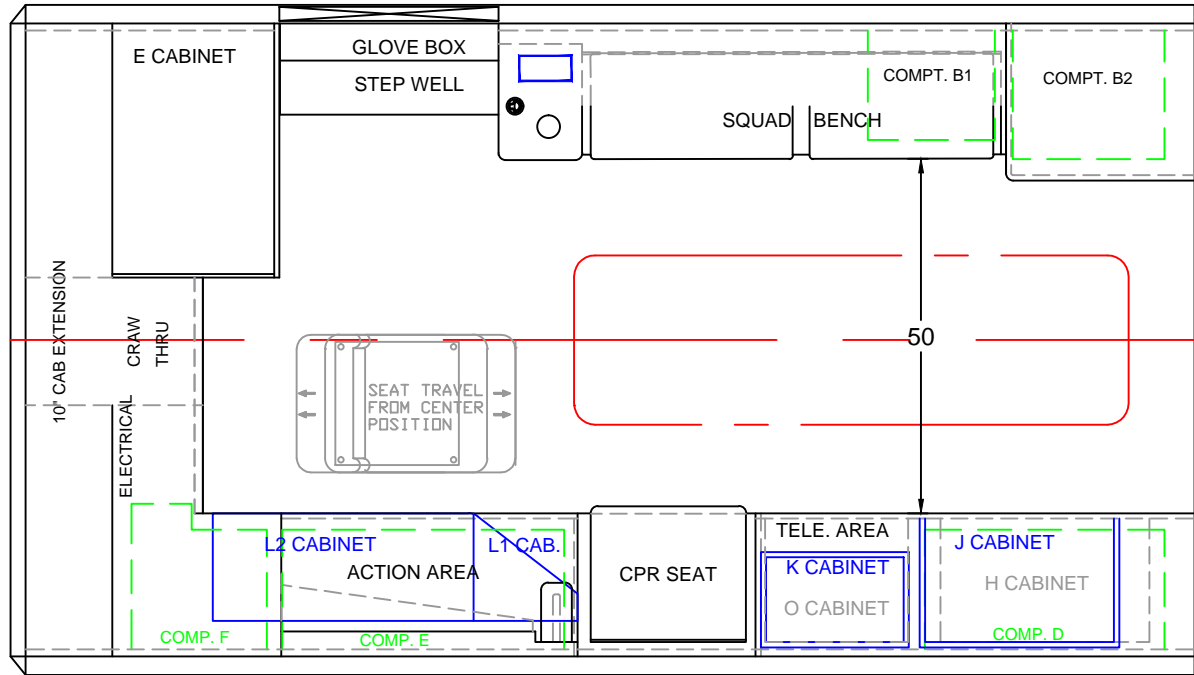
CABINET WEIGHT RATINGS:
NON-RESTOCKING = 40 LBS.
RESTOCKING = 30 LBS.

BE ADVISED THAT THESE ARE PRELIMINARY LAYOUTS INTENDED TO ILLUSTRATE DESIGN INTENT AND DIMENSIONS ARE FOR REFERENCE ONLY PRIOR TO FINAL ENGINEERING

CA101220

MODEL 3170C

170 x 95 x 72



BE ADVISED THAT THESE ARE PRELIMINARY LAYOUTS INTENDED TO ILLUSTRATE DESIGN INTENT AND DIMENSIONS ARE FOR REFERENCE ONLY PRIOR TO FINAL ENGINEERING

INTERIOR CABINET DIMENSIONS IN INCHES

CABINET	HEIGHT	WIDTH	DEPTH	CABINET	HEIGHT	WIDTH	DEPTH



TYPE 3 CHEVY
FLOOR PLAN

DATE: 04/19/18

SCALE

DWN BY: SG

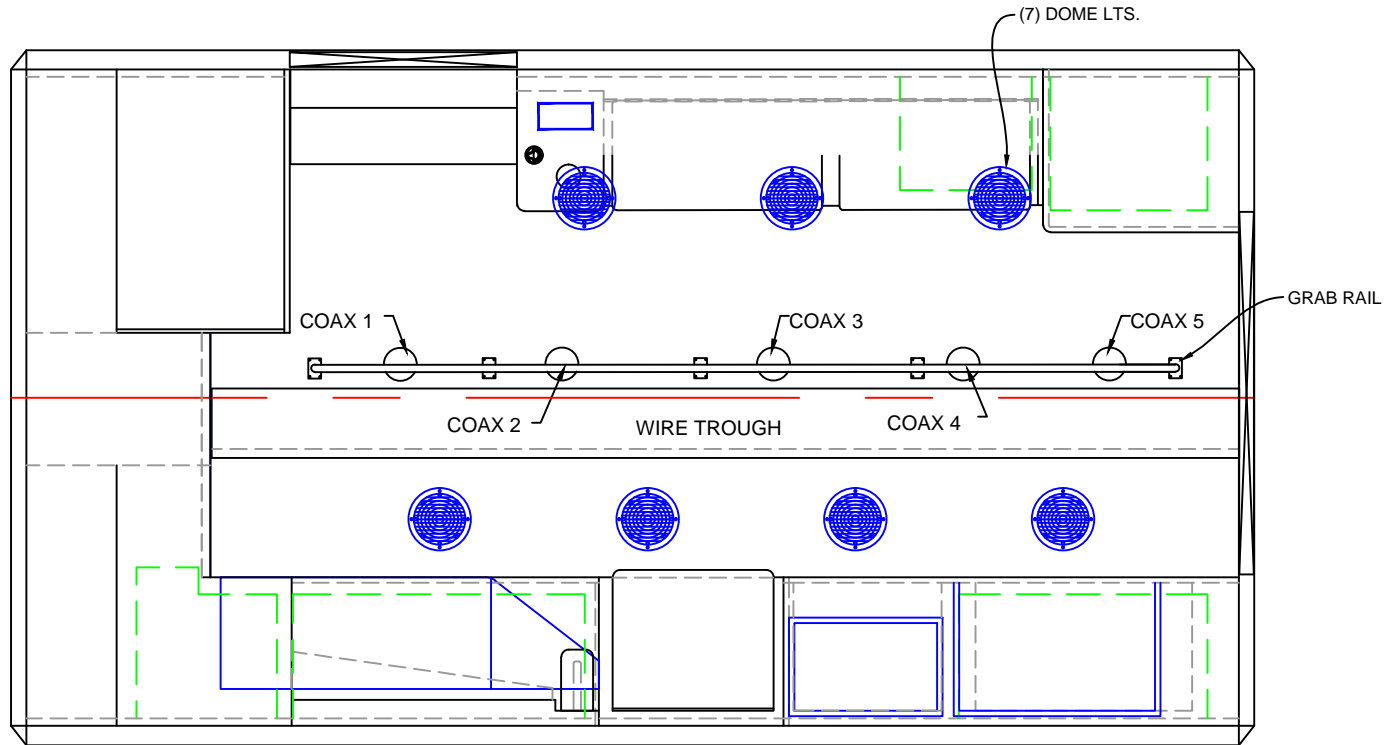
DWG NO: 8 / 9

50" AISLE

CA101220

MODEL 3170C

170 x 95 x 72



BE ADVISED THAT THESE ARE PRELIMINARY LAYOUTS INTENDED TO ILLUSTRATE DESIGN INTENT AND DIMENSIONS ARE FOR REFERENCE ONLY PRIOR TO FINAL ENGINEERING

INTERIOR CABINET DIMENSIONS IN INCHES

CABINET	HEIGHT	WIDTH	DEPTH	CABINET	HEIGHT	WIDTH	DEPTH



TYPE 3 CHEVY
LINER

DATE: 04/19/18 SCALE:
DWN BY: SG DWG NO: 9 / 9

50" AISLE