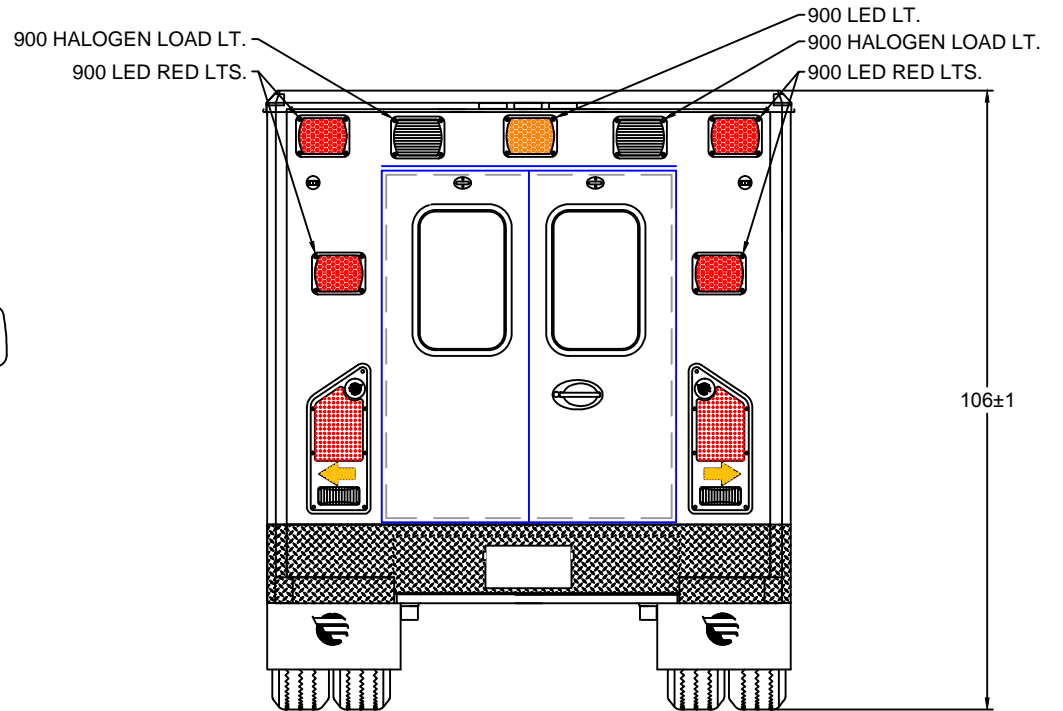
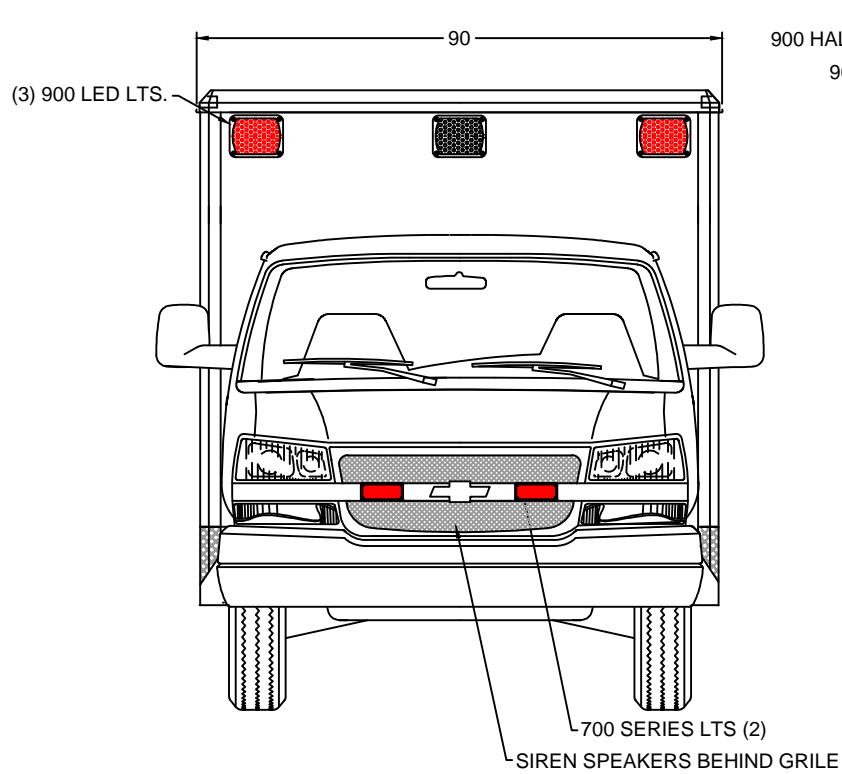


CA101243

MODEL 7146C

146 x 90 x 68



EXTERIOR COMPARTMENT DIMENSIONS IN INCHES

INTERIOR DIMENSIONS				PASS THRU		INTERIOR DIMENSIONS				JAMB OPENING	
COMPT.	HEIGHT	WIDTH	DEPTH	HEIGHT	WIDTH	COMPT.	HEIGHT	WIDTH	DEPTH	HEIGHT	WIDTH



TYPE 3 CHEVY  
FRONT / REAR  
EXTERIOR VIEWS

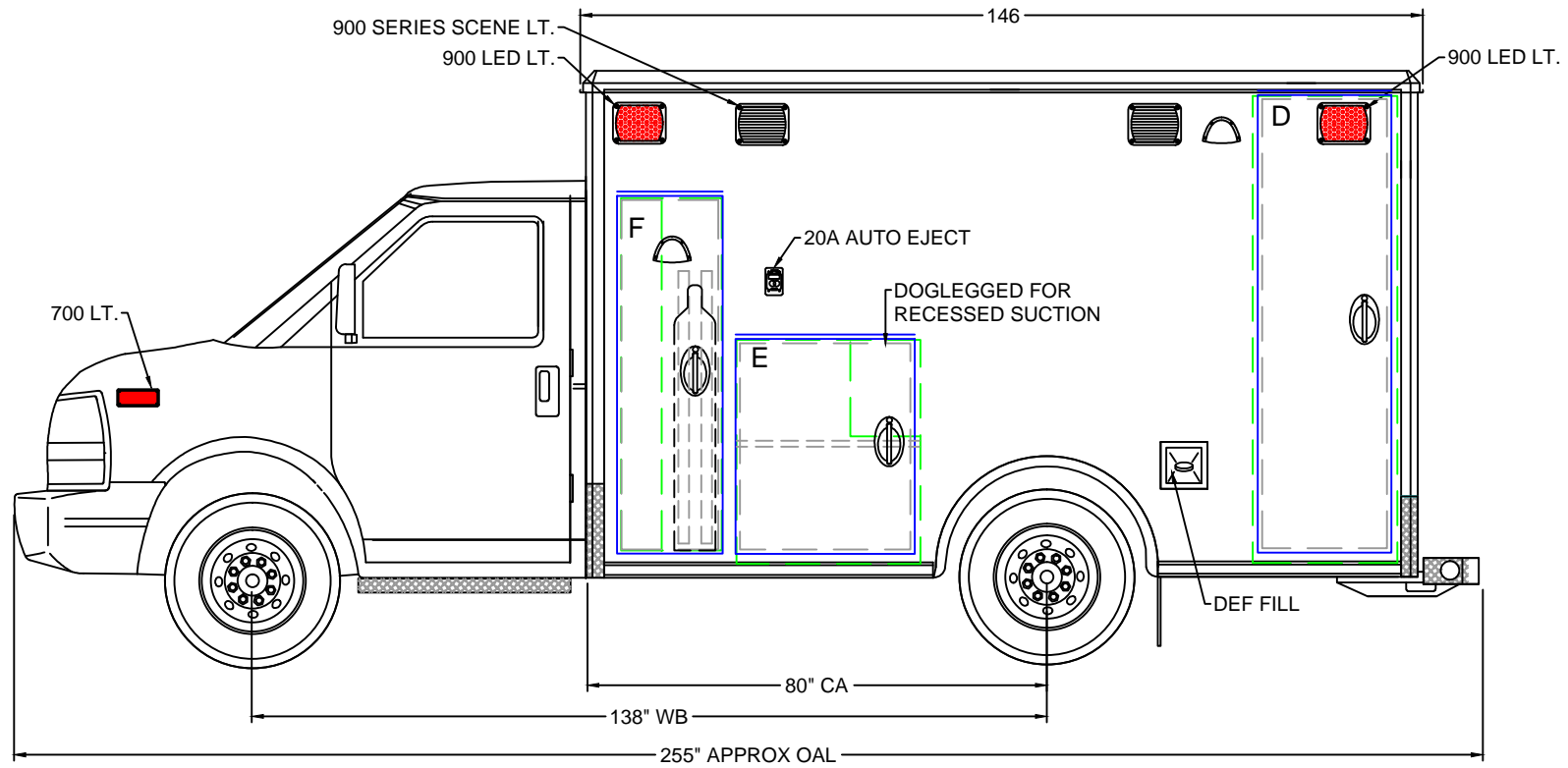
BE ADVISED THAT THESE ARE PRELIMINARY LAYOUTS INTENDED TO ILLUSTRATE DESIGN INTENT AND DIMENSIONS ARE FOR REFERENCE ONLY PRIOR TO FINAL ENGINEERING

DATE:	04/26/18	SCALE:	
DWN BY:	SG	DWG NO:	1 / 9

CA101243

MODEL 7146C

146 x 90 x 68



BE ADVISED THAT THESE ARE PRELIMINARY LAYOUTS INTENDED TO ILLUSTRATE DESIGN INTENT AND DIMENSIONS ARE FOR REFERENCE ONLY PRIOR TO FINAL ENGINEERING

EXTERIOR COMPARTMENT DIMENSIONS IN INCHES

INTERIOR DIMENSIONS				JAMB OPENING		INTERIOR DIMENSIONS				JAMB OPENING	
COMPT.	HEIGHT	WIDTH	DEPTH	HEIGHT	WIDTH	COMPT.	HEIGHT	WIDTH	DEPTH	HEIGHT	WIDTH
D	81.00	25.00	8.00	77.75	21.50						
E	38.75	31.75	15.00	35.75	30.00						
F	61.00	17.50	15.00	60.50	16.75						



TYPE 3 CHEVY

LEFT EXT. VIEW

DATE 04/26/18

SCALE

DRAWN BY SG

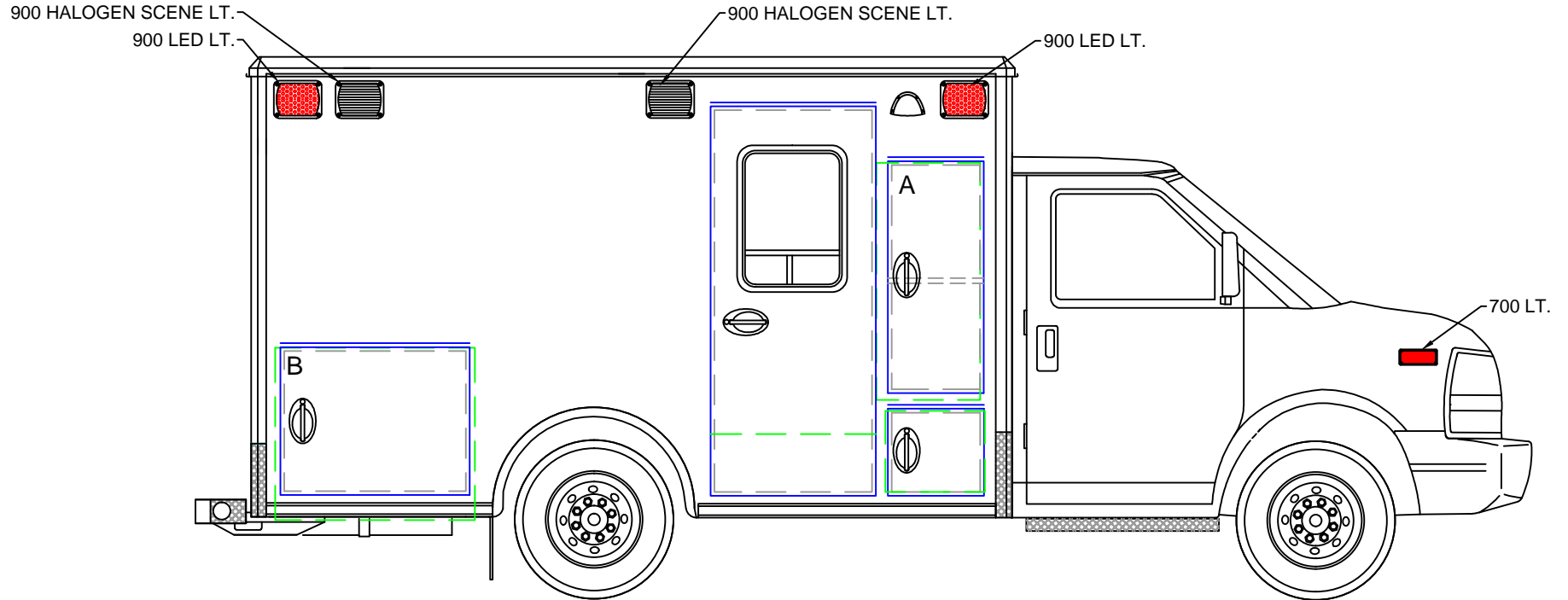
DWG NO

2 / 9


CA101243

MODEL 7146C

146 x 90 x 68



BE ADVISED THAT THESE ARE PRELIMINARY LAYOUTS INTENDED TO ILLUSTRATE DESIGN INTENT AND DIMENSIONS ARE FOR REFERENCE ONLY PRIOR TO FINAL ENGINEERING

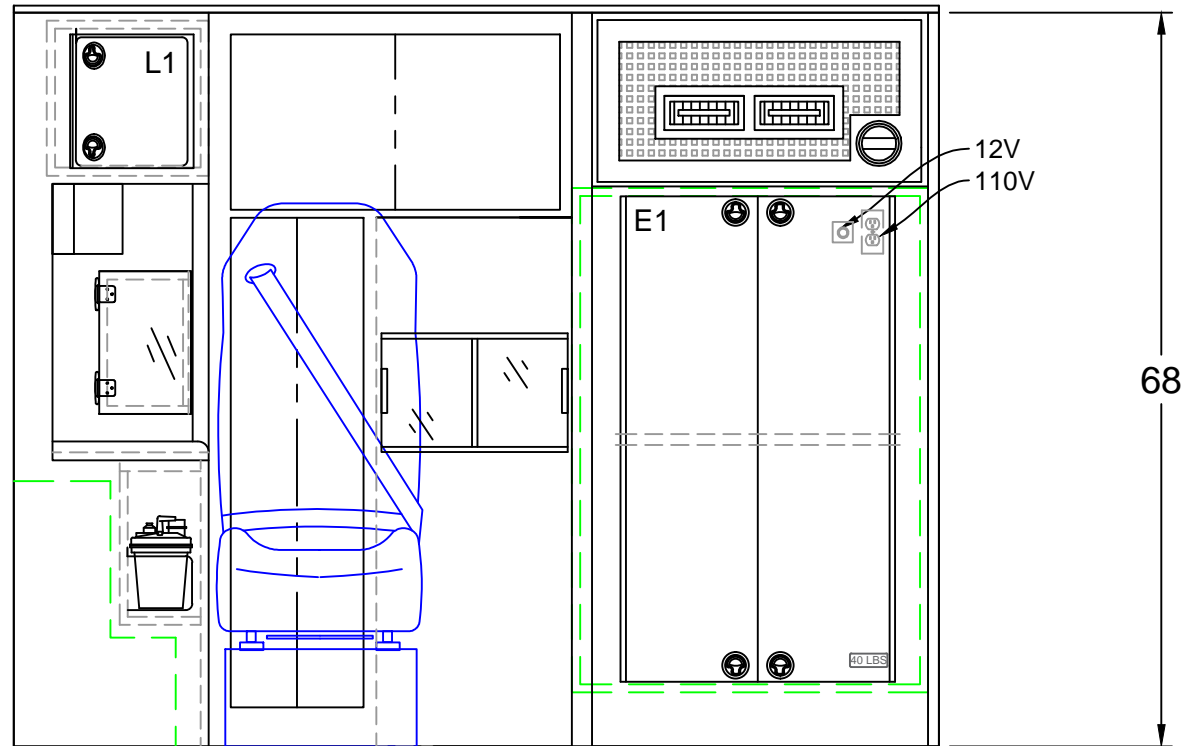
EXTERIOR COMPARTMENT DIMENSIONS IN INCHES														
INTERIOR DIMENSIONS				JAMB OPENING		INTERIOR DIMENSIONS				JAMB OPENING				
COMPT.	HEIGHT	WIDTH	DEPTH	HEIGHT	WIDTH	COMPT.	HEIGHT	WIDTH	DEPTH	HEIGHT	WIDTH			
A	45.25	19.75	31.50	42.75	16.75									
B	32.75	38.00	15.50	26.75	34.50									
LOWER-A	15.50	19.00	18.50	15.00	16.75									
												DATE	04/26/18	SCALE
												DRAWN BY	SG	DWG NO
														3 / 9

TYPE 3 CHEVY  
RIGHT EXT. VIEW


CA101243

MODEL 7146C

146 x 90 x 68



BE ADVISED THAT THESE ARE PRELIMINARY LAYOUTS INTENDED TO ILLUSTRATE DESIGN INTENT AND DIMENSIONS ARE FOR REFERENCE ONLY PRIOR TO FINAL ENGINEERING

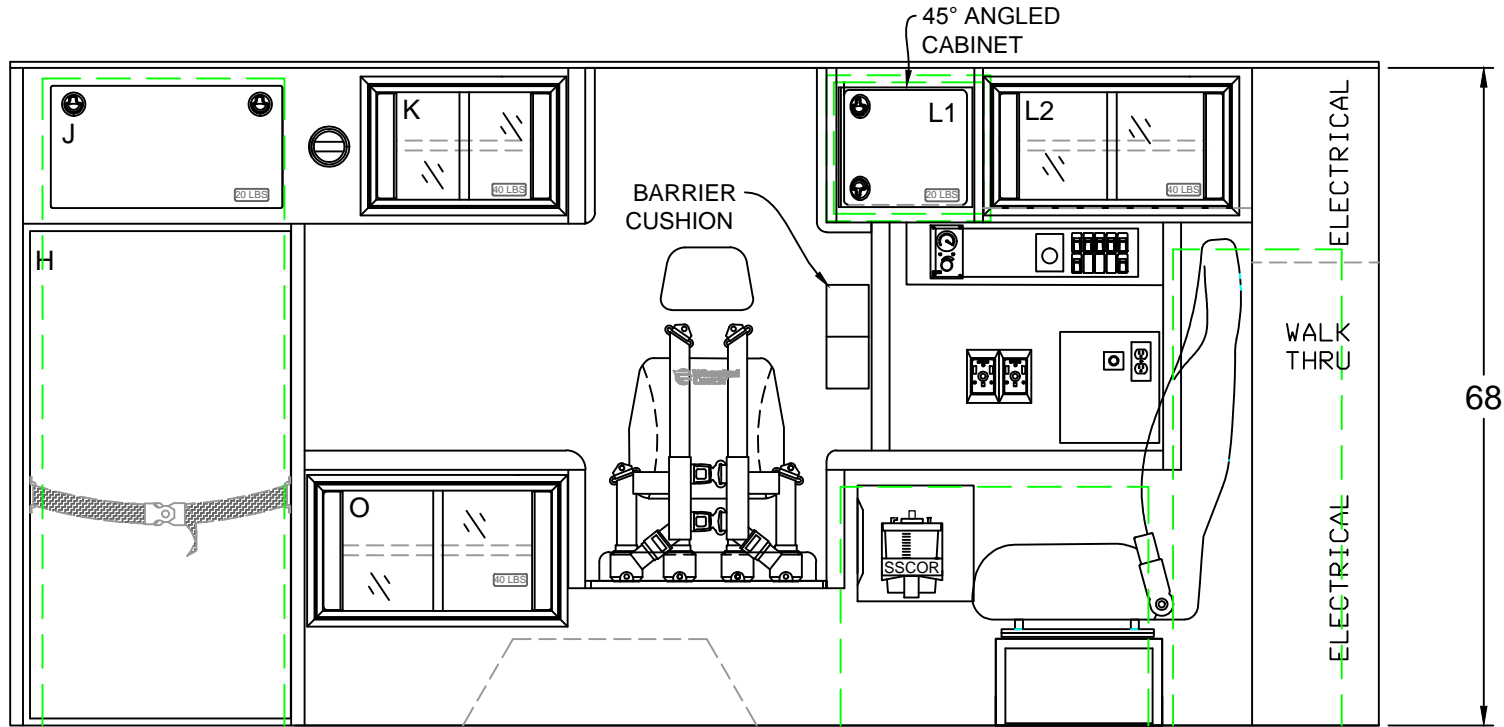
INTERIOR CABINET DIMENSIONS IN INCHES									
CABINET	HEIGHT	WIDTH	DEPTH	CABINET	HEIGHT	WIDTH	DEPTH		
E1	45.25	31.50	19.75						
								DATE	SCALE
								04/26/18	
								DRAWN BY	DWG NO
								SG	4 / 9

TYPE 3 CHEVY  
BULKHEAD INTERIOR

CA101243

MODEL 7146C

146 x 90 x 68



INTERIOR CABINET DIMENSIONS IN INCHES

CABINET	HEIGHT	WIDTH	DEPTH		CABINET	HEIGHT	WIDTH	DEPTH	
H	50.50	26.75	7.00		O	14.25	20.25	16.00	
J	12.75	24.00	7.00						
K	12.75	45.00	16.00						
L1	13.50	15.50	16.00						
L2	12.75	25.00	13.50						



TYPE 3 CHEVY

LEFT INTERIOR

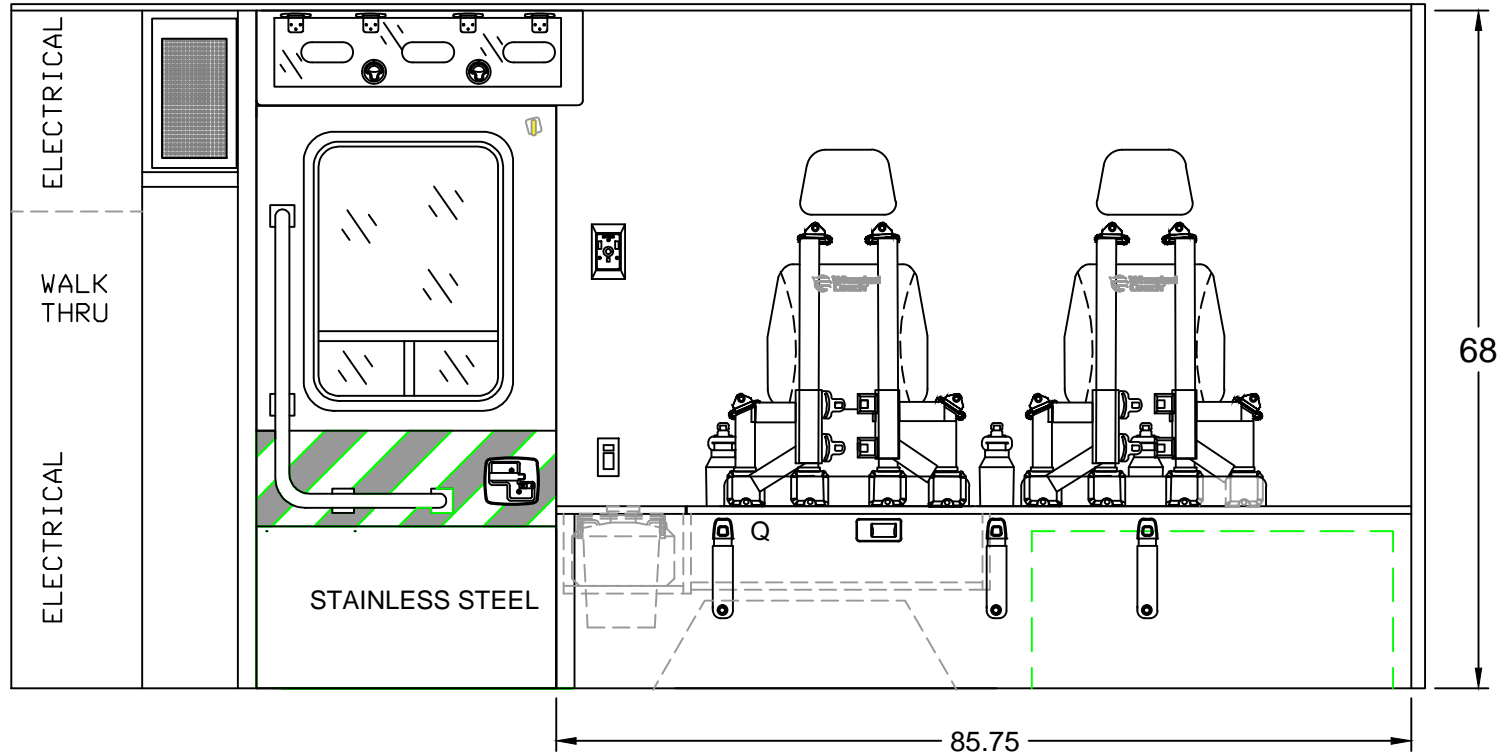
DATE:	04/26/18	SCALE:	
DWG BY:	SG	DWG NO:	5 / 9

BE ADVISED THAT THESE ARE PRELIMINARY LAYOUTS INTENDED TO ILLUSTRATE DESIGN INTENT AND DIMENSIONS ARE FOR REFERENCE ONLY PRIOR TO FINAL ENGINEERING

CA101243

MODEL 7146C

146 x 90 x 68



INTERIOR CABINET DIMENSIONS IN INCHES

COMPT.	HEIGHT	WIDTH	DEPTH		COMPT.	HEIGHT	WIDTH	DEPTH	
Q	6.75	29.25	16.00						



TYPE 3 CHEVY  
RIGHT INTERIOR

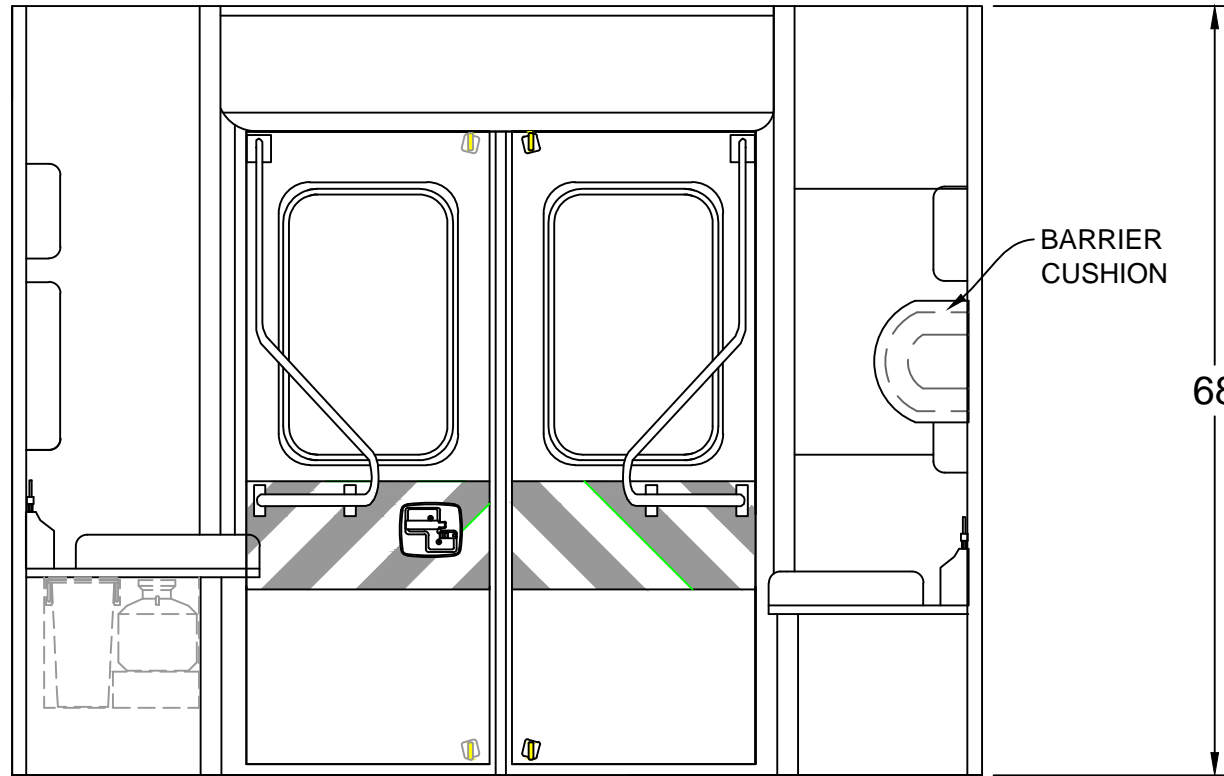
DATE:	04/26/18	SCALE	
DRAWN BY:	SG	DWG NO.	6 / 9

BE ADVISED THAT THESE ARE PRELIMINARY LAYOUTS INTENDED TO ILLUSTRATE DESIGN INTENT AND DIMENSIONS ARE FOR REFERENCE ONLY PRIOR TO FINAL ENGINEERING

CA101243

MODEL 7146C

146 x 90 x 68



INTERIOR CABINET DIMENSIONS IN INCHES



COMPT.	HEIGHT	WIDTH	DEPTH	COMPT.	HEIGHT	WIDTH	DEPTH

TYPE 3 CHEVY  
REAR BULKHEAD INTERIOR

DATE: 04/26/18 SCALE

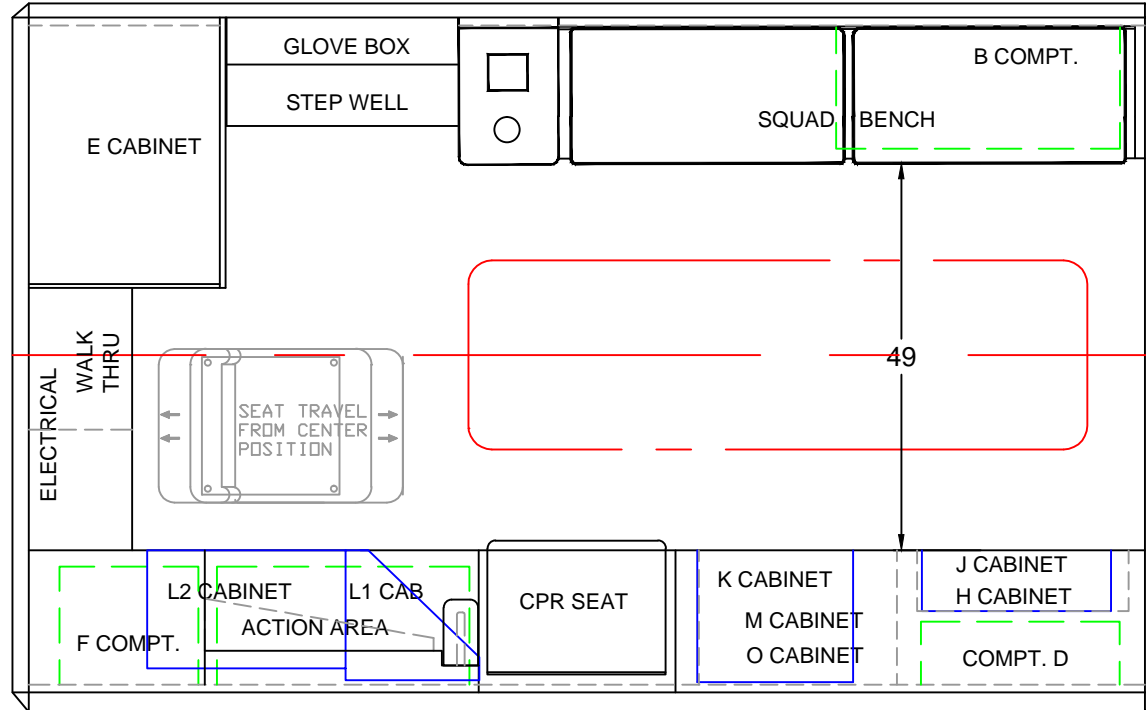
DWN BY: SG DWG NO: 7 / 9

BE ADVISED THAT THESE ARE PRELIMINARY LAYOUTS INTENDED TO ILLUSTRATE DESIGN INTENT AND DIMENSIONS ARE FOR REFERENCE ONLY PRIOR TO FINAL ENGINEERING

CA101243

MODEL 7146C

146 x 90 x 68



BE ADVISED THAT THESE ARE PRELIMINARY LAYOUTS INTENDED TO ILLUSTRATE DESIGN INTENT AND DIMENSIONS ARE FOR REFERENCE ONLY PRIOR TO FINAL ENGINEERING

INTERIOR CABINET DIMENSIONS IN INCHES

CABINET	HEIGHT	WIDTH	DEPTH	CABINET	HEIGHT	WIDTH	DEPTH



TYPE 3 CHEVY  
FLOOR PLAN

DATE: 04/26/18

SCALE

DWN BY: SG

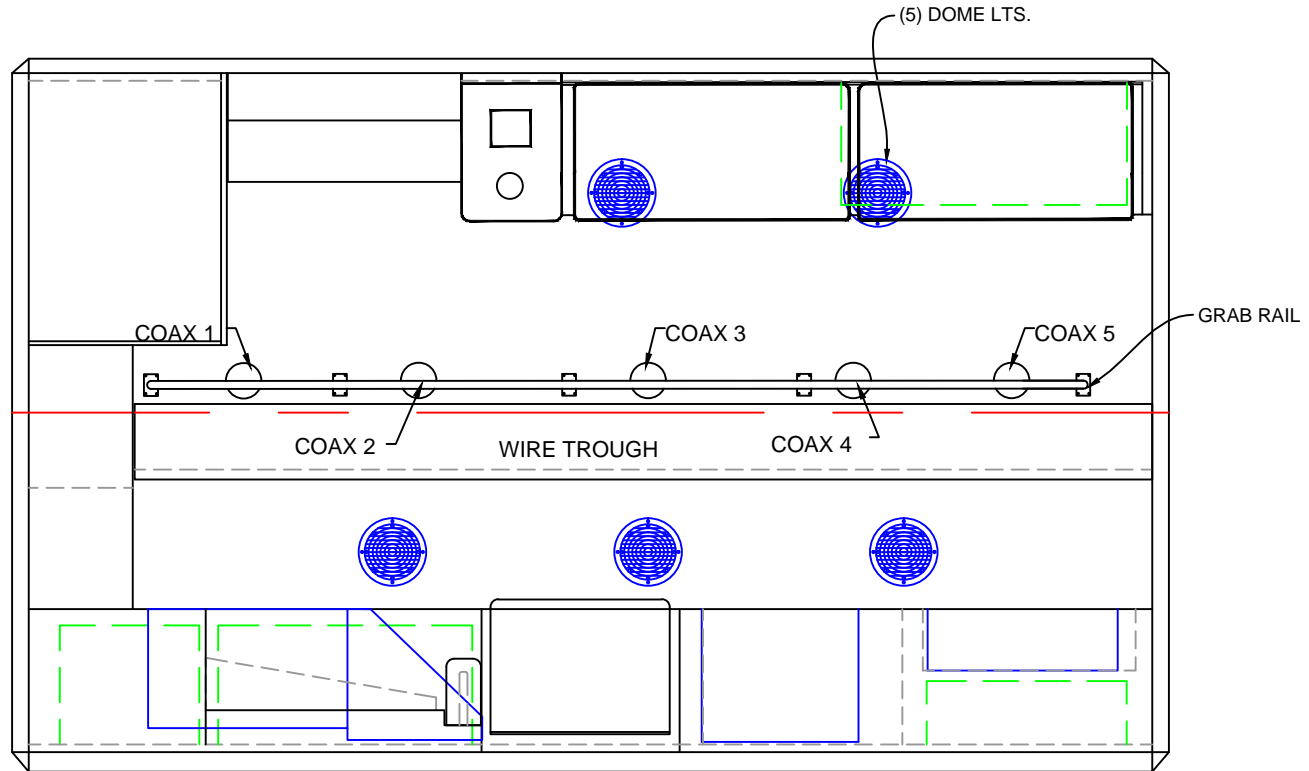
DWG NO: 8 / 9



CA101243

MODEL 7146C

146 x 90 x 68



BE ADVISED THAT THESE ARE PRELIMINARY LAYOUTS INTENDED TO ILLUSTRATE DESIGN INTENT AND DIMENSIONS ARE FOR REFERENCE ONLY PRIOR TO FINAL ENGINEERING

INTERIOR CABINET DIMENSIONS IN INCHES

CABINET	HEIGHT	WIDTH	DEPTH	CABINET	HEIGHT	WIDTH	DEPTH



TYPE 3 CHEVY  
LINER

DATE: 04/26/18 SCALE:  
DWN BY: SG DWG NO: 9 / 9