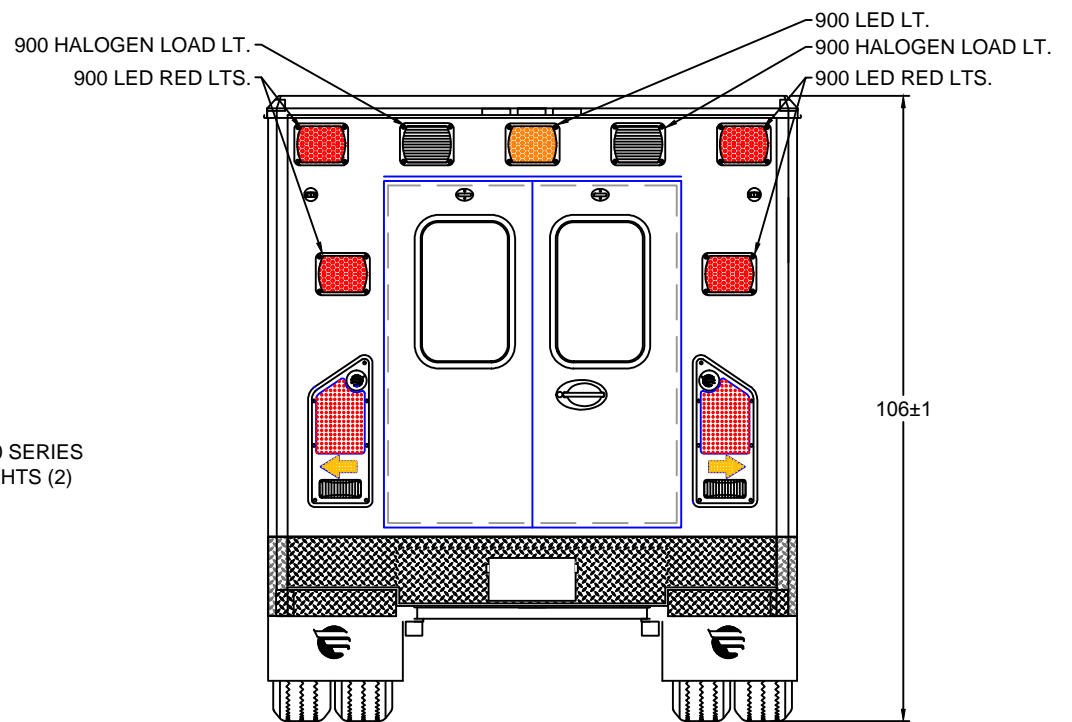
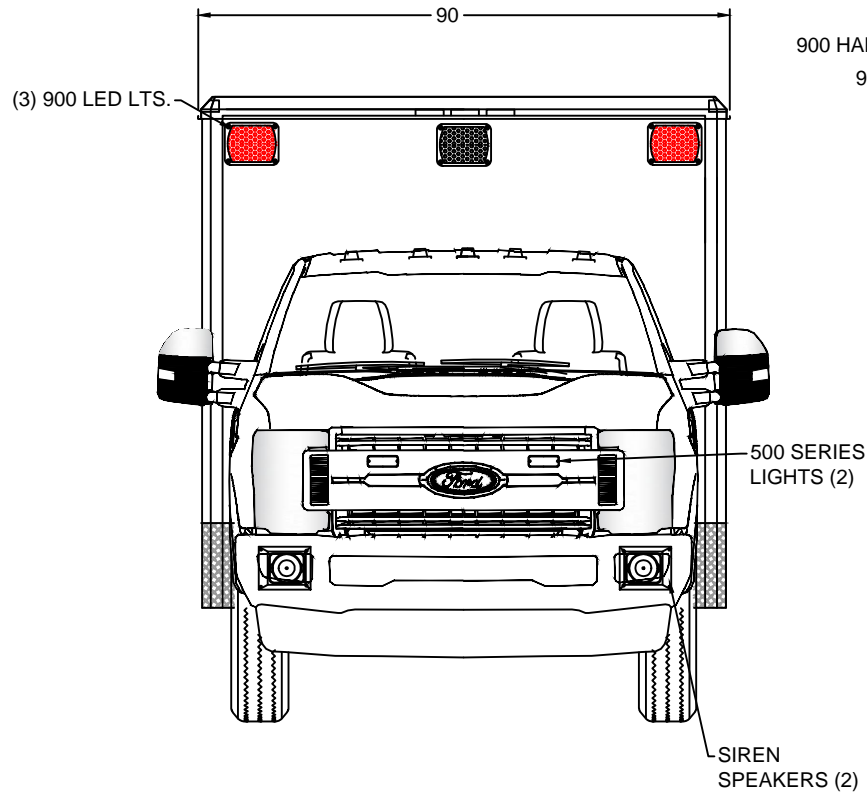


CA101339

MODEL 1146F

146 x 90 x 68



EXTERIOR COMPARTMENT DIMENSIONS IN INCHES

INTERIOR DIMENSIONS				PASS THRU		INTERIOR DIMENSIONS				JAMB OPENING	
COMPT.	HEIGHT	WIDTH	DEPTH	HEIGHT	WIDTH	COMPT.	HEIGHT	WIDTH	DEPTH	HEIGHT	WIDTH



TYPE 1 FORD 2018
FRONT / REAR
EXTERIOR VIEWS

BE ADVISED THAT THESE ARE PRELIMINARY LAYOUTS INTENDED TO ILLUSTRATE DESIGN INTENT AND DIMENSIONS ARE FOR REFERENCE ONLY PRIOR TO FINAL ENGINEERING

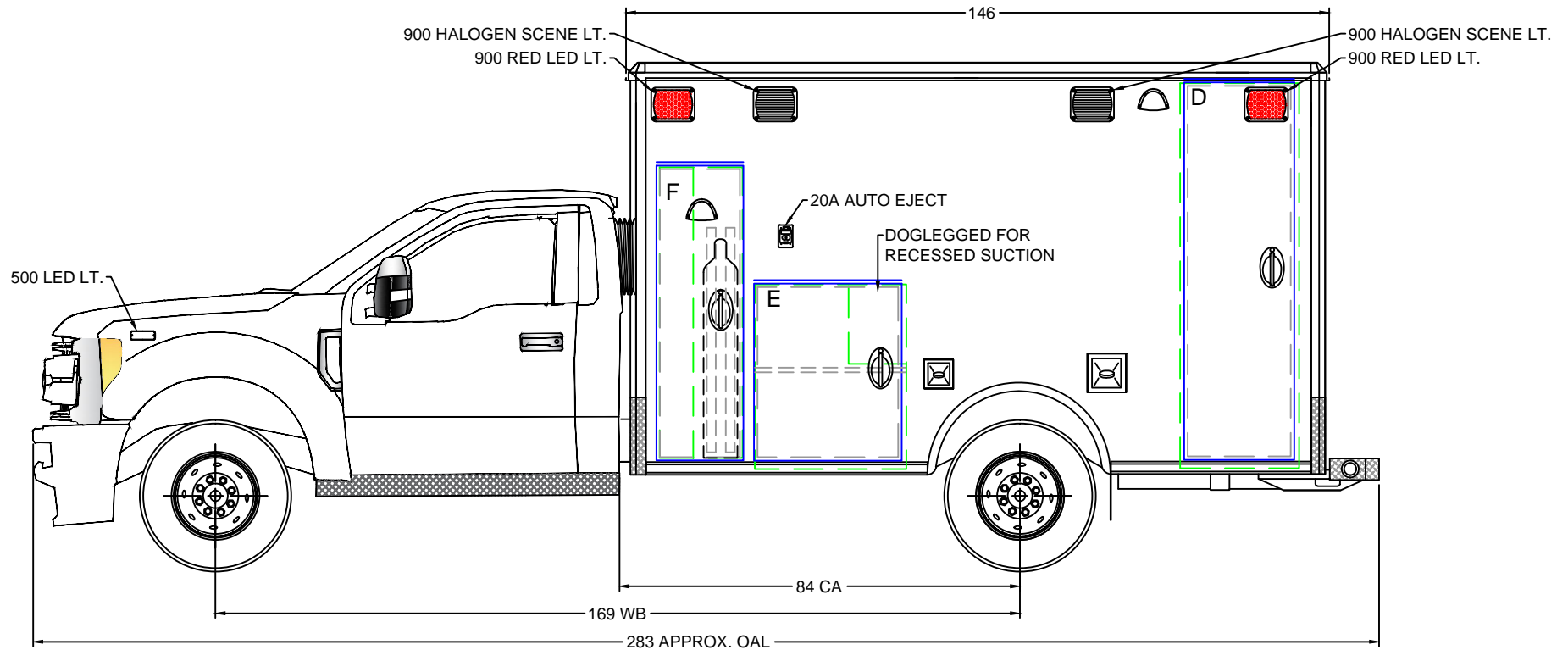
DATE:	04/17/18	SCALE
DWN BY	SG	DWG NO 1 / 9

49" AISLE


CA101339

MODEL 1146F

146 x 90 x 68



BE ADVISED THAT THESE ARE PRELIMINARY LAYOUTS INTENDED TO ILLUSTRATE DESIGN INTENT AND DIMENSIONS ARE FOR REFERENCE ONLY PRIOR TO FINAL ENGINEERING

EXTERIOR COMPARTMENT DIMENSIONS IN INCHES												
INTERIOR DIMENSIONS				JAMB OPENING		INTERIOR DIMENSIONS				JAMB OPENING		
COMPT.	HEIGHT	WIDTH	DEPTH	HEIGHT	WIDTH	COMPT.	HEIGHT	WIDTH	DEPTH	HEIGHT	WIDTH	
D	81.00	25.00	8.00	77.75	21.50							
E	38.75	31.75	15.00	35.75	29.50							
F	61.00	17.50	15.00	60.50	16.75							
49" AISLE												<small>DATE</small> 04/17/18 <small>SCALE</small> <small>DRAWN BY</small> SG <small>DWG NO</small> 2 / 9

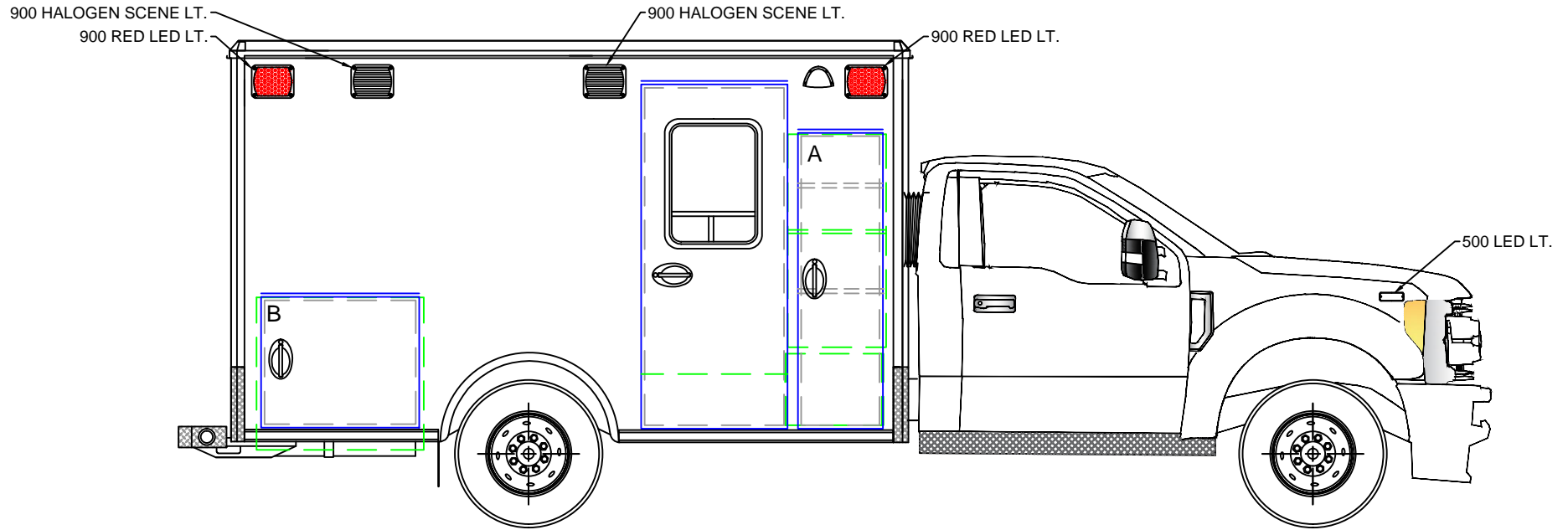
TYPE 1 FORD 2018

LEFT EXT. VIEW


CA101339

MODEL 1146F

146 x 90 x 68



BE ADVISED THAT THESE ARE PRELIMINARY LAYOUTS INTENDED TO ILLUSTRATE DESIGN INTENT AND DIMENSIONS ARE FOR REFERENCE ONLY PRIOR TO FINAL ENGINEERING

EXTERIOR COMPARTMENT DIMENSIONS IN INCHES												
INTERIOR DIMENSIONS				JAMB OPENING		INTERIOR DIMENSIONS				JAMB OPENING		
COMPT.	HEIGHT	WIDTH	DEPTH	HEIGHT	WIDTH	COMPT.	HEIGHT	WIDTH	DEPTH	HEIGHT	WIDTH	
A	45.25	21.25	32.50	61.50	16.75							
LOWER-A	15.50	19.00	18.75									
B	33.00	36.00	15.50	26.75	32.50							
49" AISLE												DATE 04/17/18 SCALE DRAWN BY SG DWG NO 3 / 9

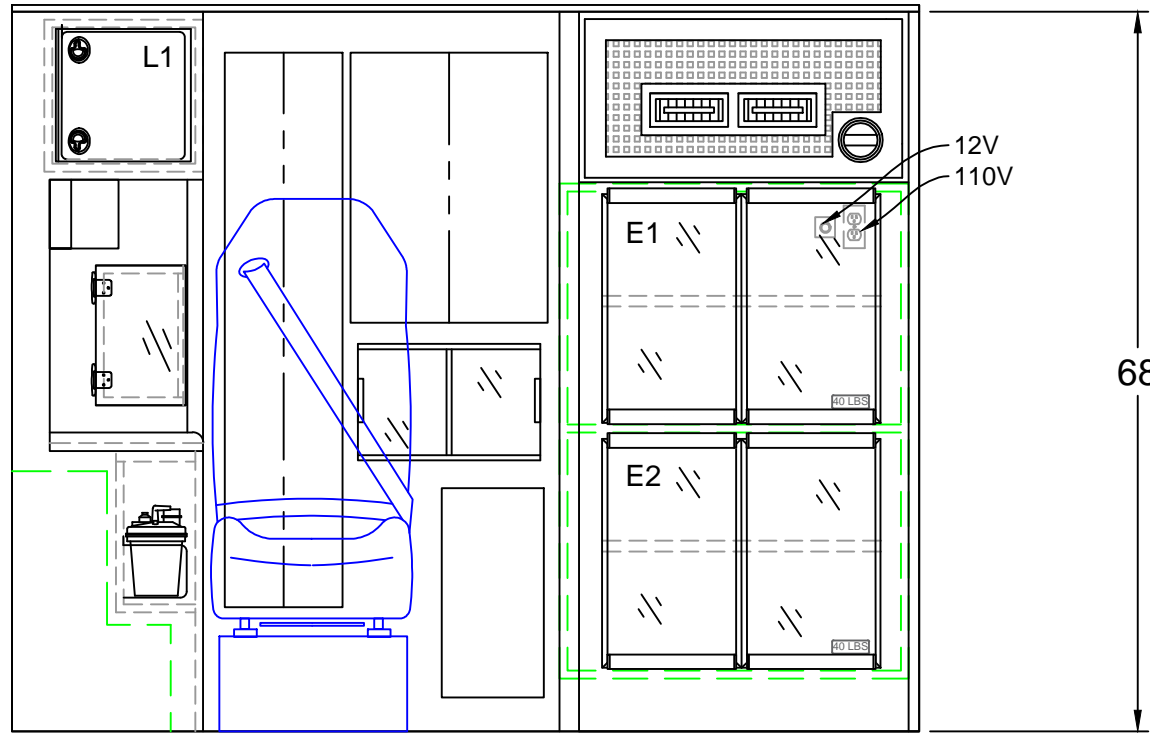
TYPE 1 FORD 2018

RIGHT EXT. VIEW


CA101339

MODEL 1146F

146 x 90 x 68



BE ADVISED THAT THESE ARE PRELIMINARY LAYOUTS INTENDED TO ILLUSTRATE DESIGN INTENT AND DIMENSIONS ARE FOR REFERENCE ONLY PRIOR TO FINAL ENGINEERING

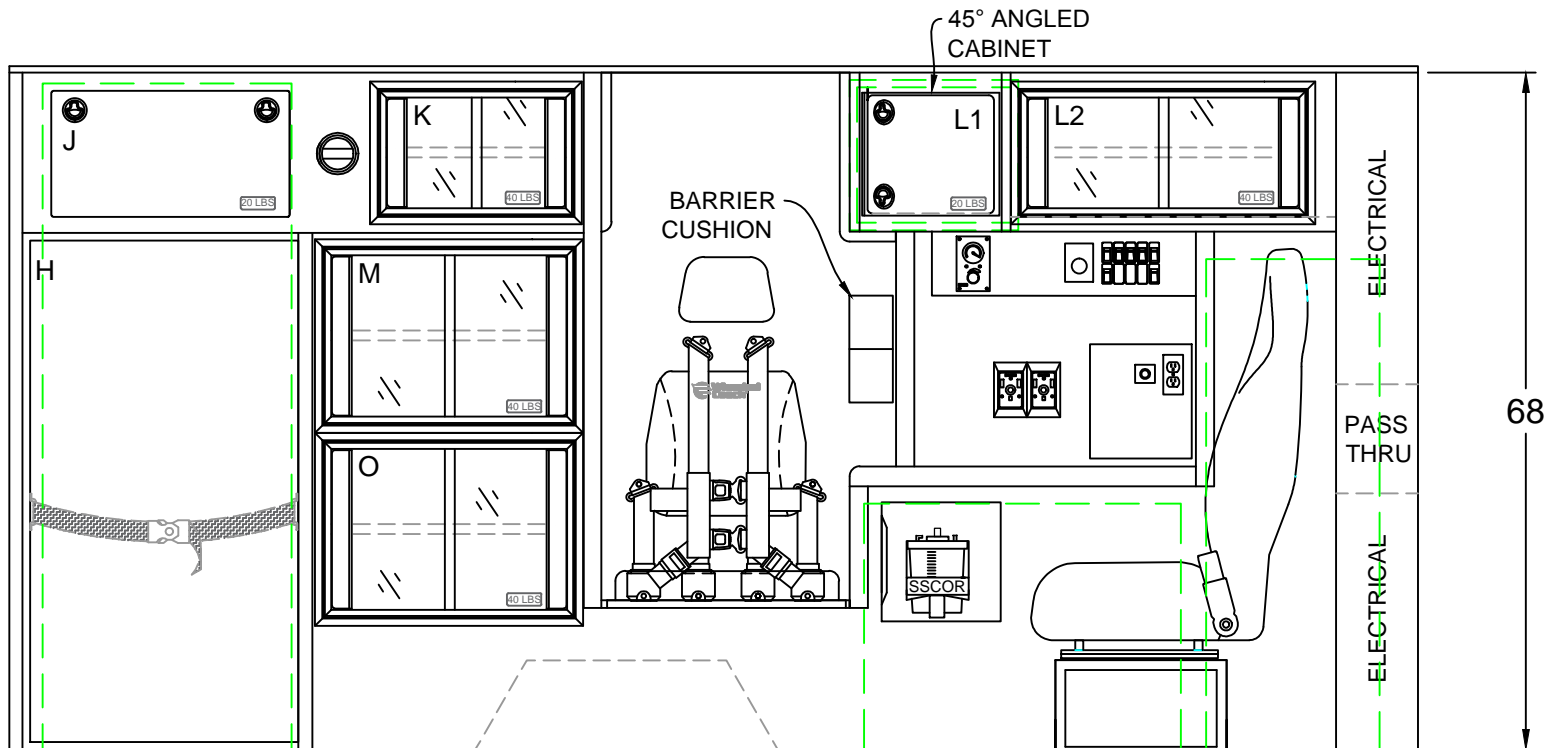
<p>CABINET WEIGHT RATINGS: RESTOCKING = 30 LBS. NON-RESTOCKING = 40 LBS.</p>	INTERIOR CABINET DIMENSIONS IN INCHES								 <p>TYPE 1 FORD 2018 BULKHEAD INTERIOR</p>
	CABINET	HEIGHT	WIDTH	DEPTH	CABINET	HEIGHT	WIDTH	DEPTH	
	E1	22.00	32.50	21.25					
	E2	22.00	32.50	21.25					
								DATE 04/17/18	SCALE
								DRAWN BY SG	DWG NO 4 / 9

49" AISLE

CA101339

MODEL 1146F

146 x 90 x 68



INTERIOR CABINET DIMENSIONS IN INCHES

CABINET	HEIGHT	WIDTH	DEPTH		CABINET	HEIGHT	WIDTH	DEPTH	
H	50.50	26.75	7.75		M	18.00	25.50	16.00	
J	12.75	24.00	7.00		O	18.75	29.00	16.00	
K	12.75	19.75	16.00						
L1	13.50	15.50	16.00						
L2	12.75	29.00	13.50						



TYPE 1 FORD 2018

LEFT INTERIOR

DATE:	04/17/18	SCALE:	
DWN BY:	SG	DWG NO:	5 / 9

49" AISLE

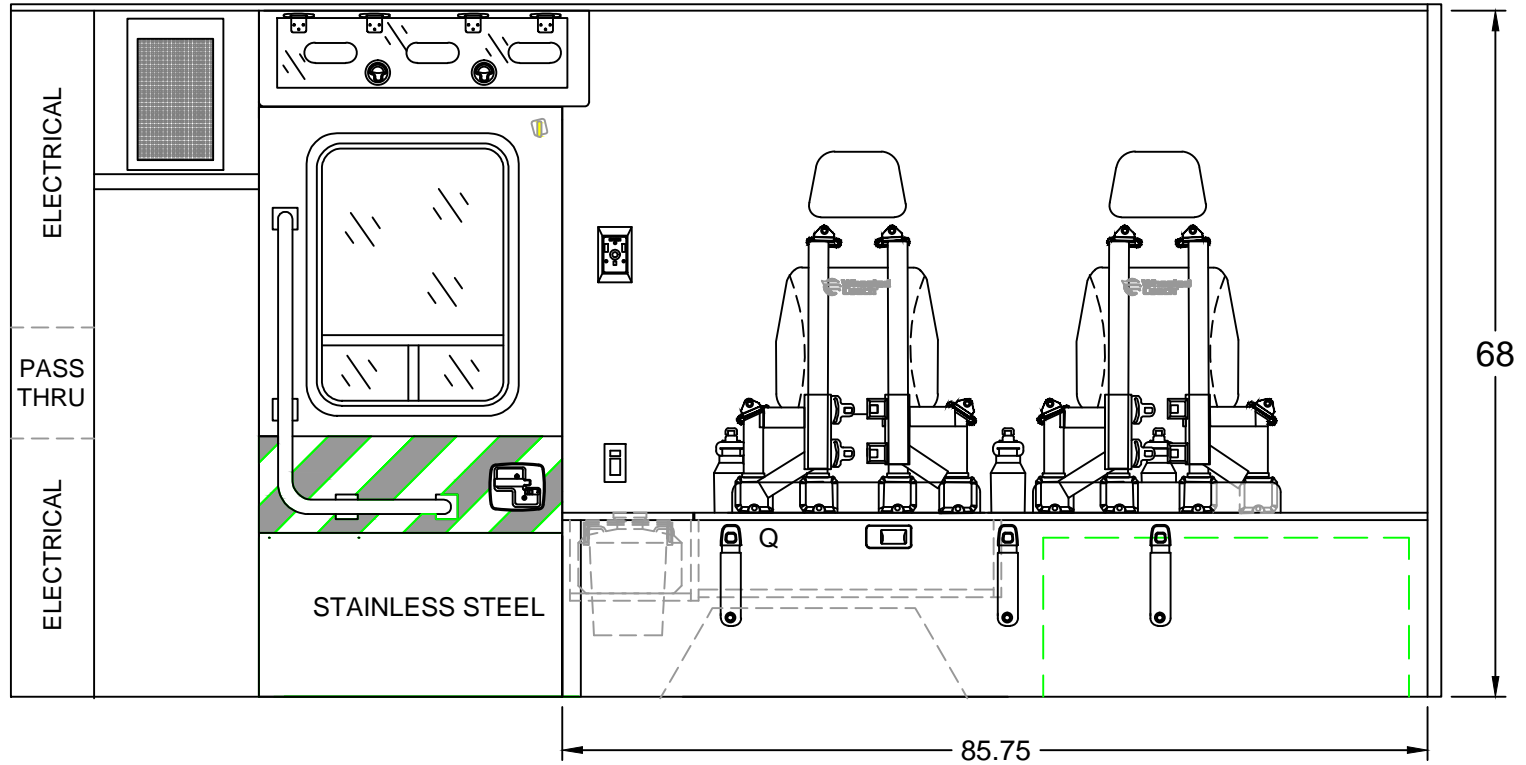
CABINET WEIGHT RATINGS:
 RESTOCKING = 30 LBS.
 NON-RESTOCKING = 40 LBS.

BE ADVISED THAT THESE ARE PRELIMINARY LAYOUTS INTENDED TO ILLUSTRATE DESIGN INTENT AND DIMENSIONS ARE FOR REFERENCE ONLY PRIOR TO FINAL ENGINEERING

CA101339

MODEL 1146F

146 x 90 x 68



INTERIOR CABINET DIMENSIONS IN INCHES

COMPT.	HEIGHT	WIDTH	DEPTH		COMPT.	HEIGHT	WIDTH	DEPTH	
Q	6.75	29.25	16.00						

49" AISLE

CABINET WEIGHT RATINGS:
 RESTOCKING = 30 LBS.
 NON-RESTOCKING = 40 LBS.

BE ADVISED THAT THESE ARE PRELIMINARY LAYOUTS INTENDED TO ILLUSTRATE DESIGN INTENT AND DIMENSIONS ARE FOR REFERENCE ONLY PRIOR TO FINAL ENGINEERING



TYPE 1 FORD 2018
 RIGHT INTERIOR

DATE: 04/17/18

SCALE

DWN BY

SG

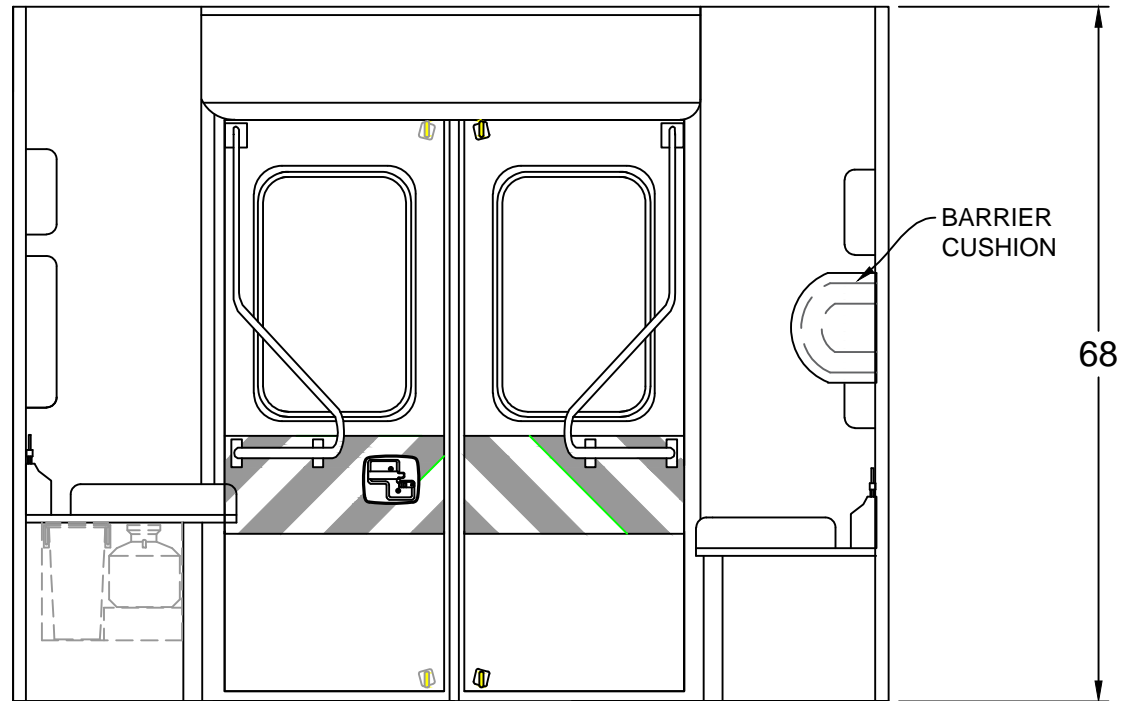
DWG NO

6 / 9

CA101339

MODEL 1146F

146 x 90 x 68



INTERIOR CABINET DIMENSIONS IN INCHES



COMPT.	HEIGHT	WIDTH	DEPTH	COMPT.	HEIGHT	WIDTH	DEPTH

TYPE 1 FORD 2018
 REAR BULKHEAD INTERIOR

DATE: 04/17/18 SCALE

DWG BY: SG DWG NO: 7 / 9

49" AISLE

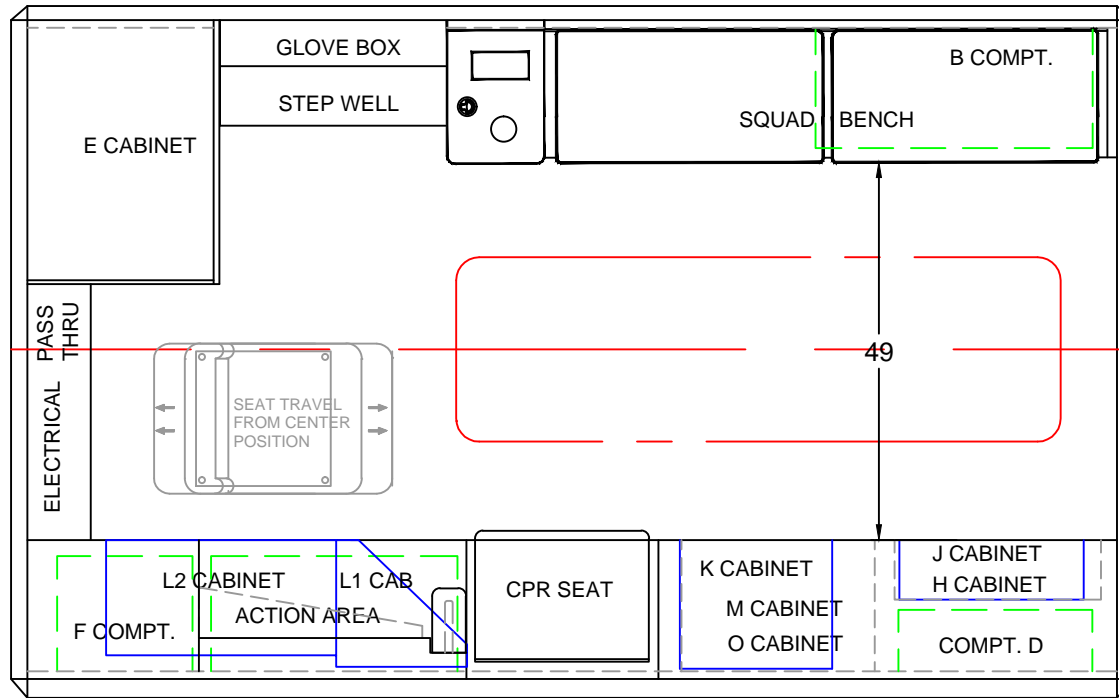
CABINET WEIGHT RATINGS:
 RESTOCKING = 30 LBS.
 NON-RESTOCKING = 40 LBS.

BE ADVISED THAT THESE ARE PRELIMINARY LAYOUTS INTENDED TO ILLUSTRATE DESIGN INTENT AND DIMENSIONS ARE FOR REFERENCE ONLY PRIOR TO FINAL ENGINEERING

CA101339

MODEL 1146F

146 x 90 x 68



BE ADVISED THAT THESE ARE PRELIMINARY LAYOUTS INTENDED TO ILLUSTRATE DESIGN INTENT AND DIMENSIONS ARE FOR REFERENCE ONLY PRIOR TO FINAL ENGINEERING

INTERIOR CABINET DIMENSIONS IN INCHES

CABINET	HEIGHT	WIDTH	DEPTH	CABINET	HEIGHT	WIDTH	DEPTH



TYPE 1 FORD 2018
FLOOR PLAN

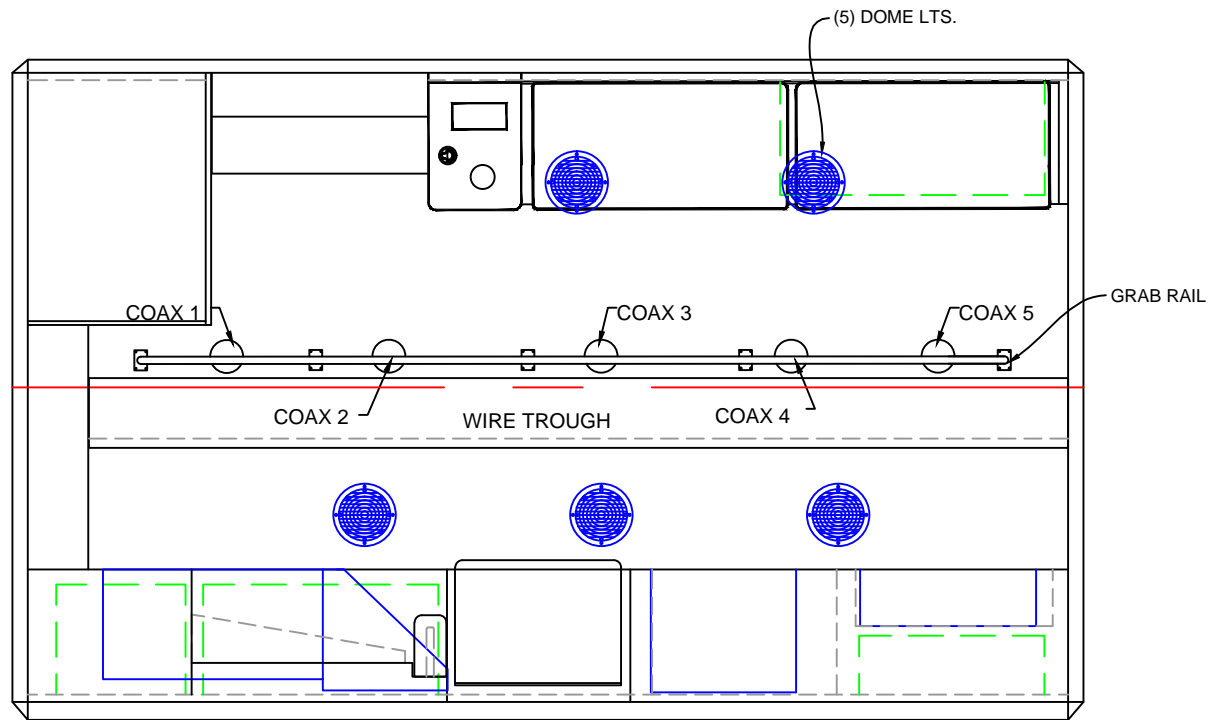
DATE:	04/17/18	SCALE:	
DWN BY:	SG	DWG NO:	8 / 9

49" AISLE

CA101339

MODEL 1146F

146 x 90 x 68



BE ADVISED THAT THESE ARE PRELIMINARY LAYOUTS INTENDED TO ILLUSTRATE DESIGN INTENT AND DIMENSIONS ARE FOR REFERENCE ONLY PRIOR TO FINAL ENGINEERING

INTERIOR CABINET DIMENSIONS IN INCHES

CABINET	HEIGHT	WIDTH	DEPTH	CABINET	HEIGHT	WIDTH	DEPTH



TYPE 1 FORD 2018
LINER

DATE: 04/17/18 SCALE
DWN BY: SG DWG NO: 9 / 9

49" AISLE