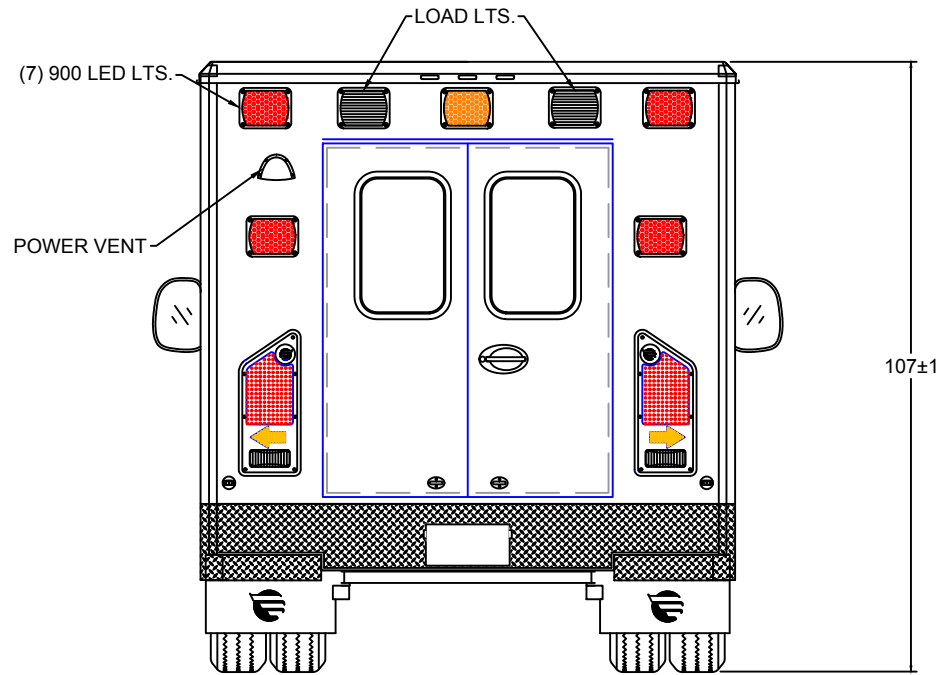
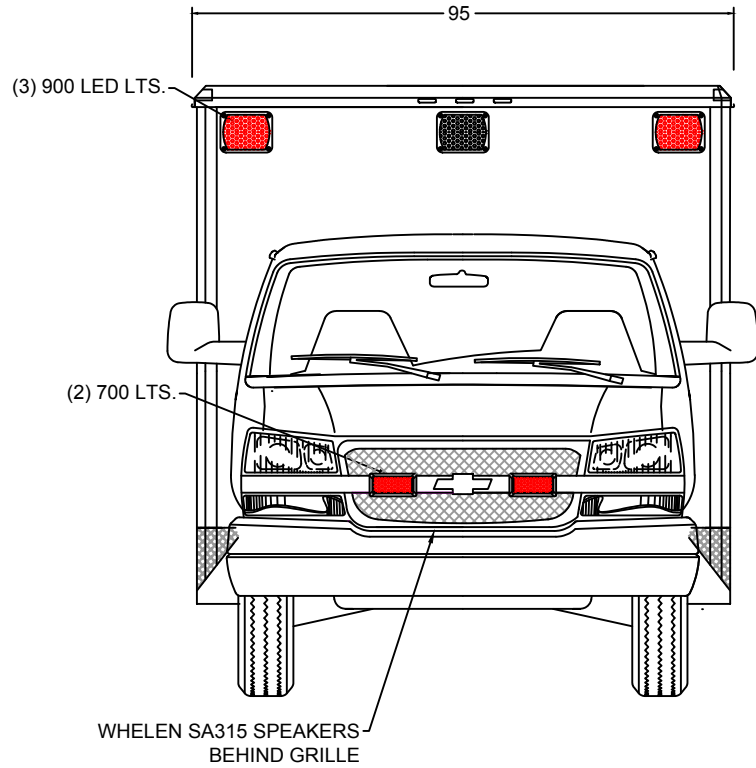


CA101300

MODEL 3170C

170 x 95 x 72



EXTERIOR COMPARTMENT DIMENSIONS IN INCHES

INTERIOR DIMENSIONS				PASS THRU		INTERIOR DIMENSIONS				JAMB OPENING	
COMPT.	HEIGHT	WIDTH	DEPTH	HEIGHT	WIDTH	COMPT.	HEIGHT	WIDTH	DEPTH	HEIGHT	WIDTH



TYPE 3 CHEVY
FRONT / REAR
EXTERIOR VIEWS

BE ADVISED THAT THESE ARE PRELIMINARY LAYOUTS INTENDED TO ILLUSTRATE DESIGN INTENT AND DIMENSIONS ARE FOR REFERENCE ONLY PRIOR TO FINAL ENGINEERING

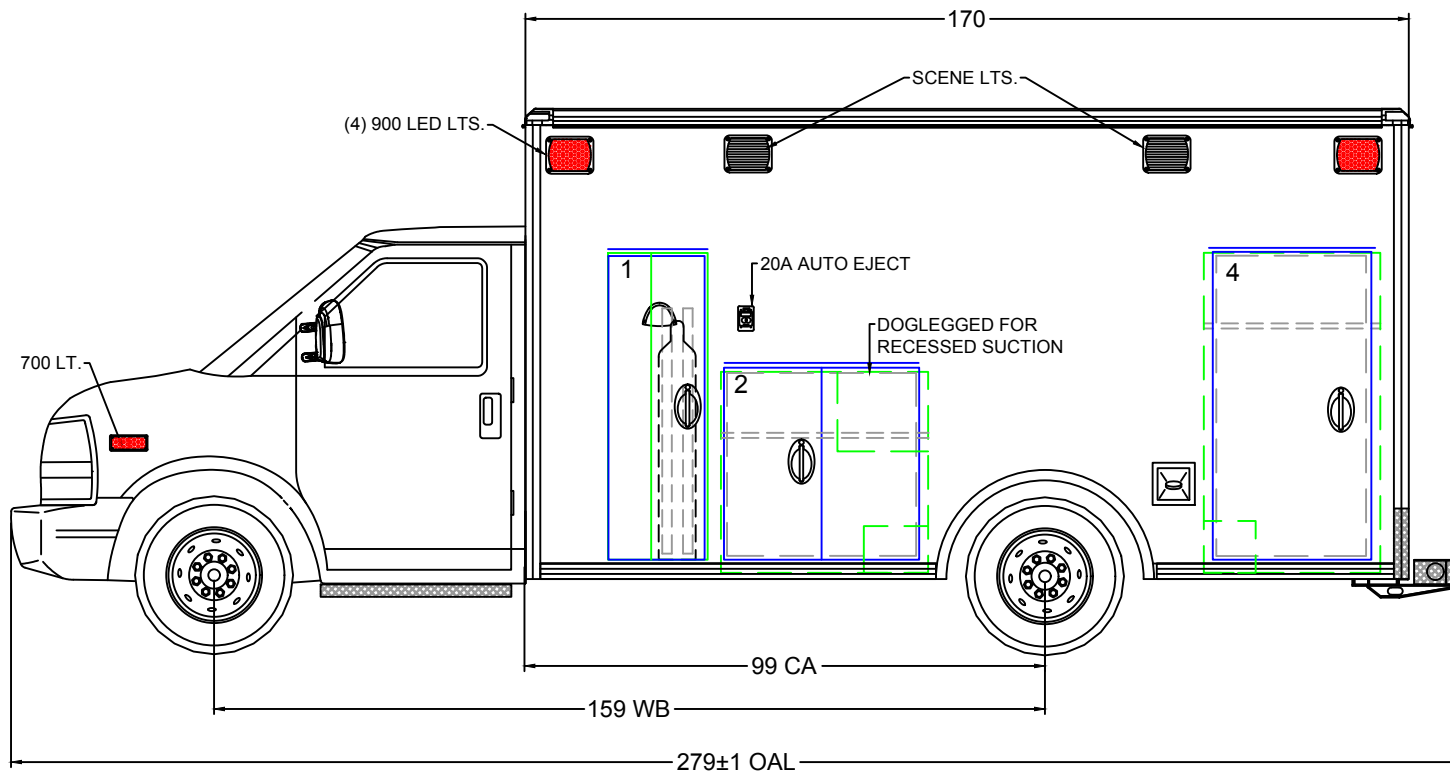
DATE:	3/15/21	SCALE
DWN BY:	AP	DWG NO
		1 / 9

50" AISLE


CA101300

MODEL 3170C

170 x 95 x 72



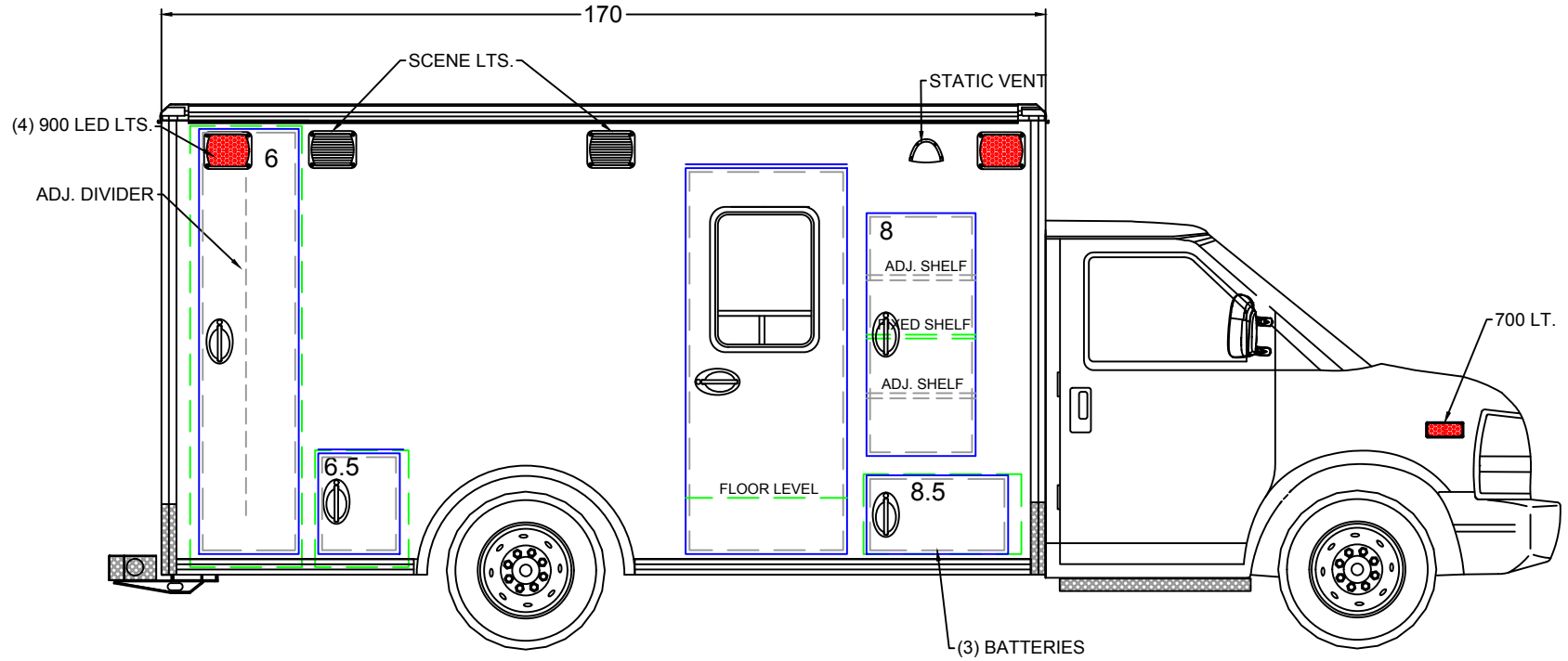
BE ADVISED THAT THESE ARE PRELIMINARY LAYOUTS INTENDED TO ILLUSTRATE DESIGN INTENT AND DIMENSIONS ARE FOR REFERENCE ONLY PRIOR TO FINAL ENGINEERING

EXTERIOR COMPARTMENT DIMENSIONS IN INCHES													
INTERIOR DIMENSIONS				JAMB OPENING		INTERIOR DIMENSIONS				JAMB OPENING			
COMPT.	HEIGHT	WIDTH	DEPTH	HEIGHT	WIDTH	COMPT.	HEIGHT	WIDTH	DEPTH	HEIGHT	WIDTH		
4	61.50	34.00	17.00	58.50	30.50								TYPE 3 CHEVY LEFT EXT. VIEW
2	38.75	40.00	17.00	37.00	37.50								
1	59.00	19.00	21.75/17.00	58.50	18.50								
50" AISLE												DATE 3/15/21 DRAWN BY AP	SCALE DWG NO 2 / 9

CA101300

MODEL 3170C

170 x 95 x 72



BE ADVISED THAT THESE ARE PRELIMINARY LAYOUTS INTENDED TO ILLUSTRATE DESIGN INTENT AND DIMENSIONS ARE FOR REFERENCE ONLY PRIOR TO FINAL ENGINEERING

EXTERIOR COMPARTMENT DIMENSIONS IN INCHES

INTERIOR DIMENSIONS				JAMB OPENING		INTERIOR DIMENSIONS				JAMB OPENING	
COMPT.	HEIGHT	WIDTH	DEPTH	HEIGHT	WIDTH	COMPT.	HEIGHT	WIDTH	DEPTH	HEIGHT	WIDTH
8				46.75	21.00						
8.5	15.25	30.25	19.00	15.00	27.25						
6.5	22.50	18.00	15.50	19.25	15.50						
6	85.00	21.50	18.25	81.75	19.00						



TYPE 3 CHEVY
RIGHT EXT. VIEW

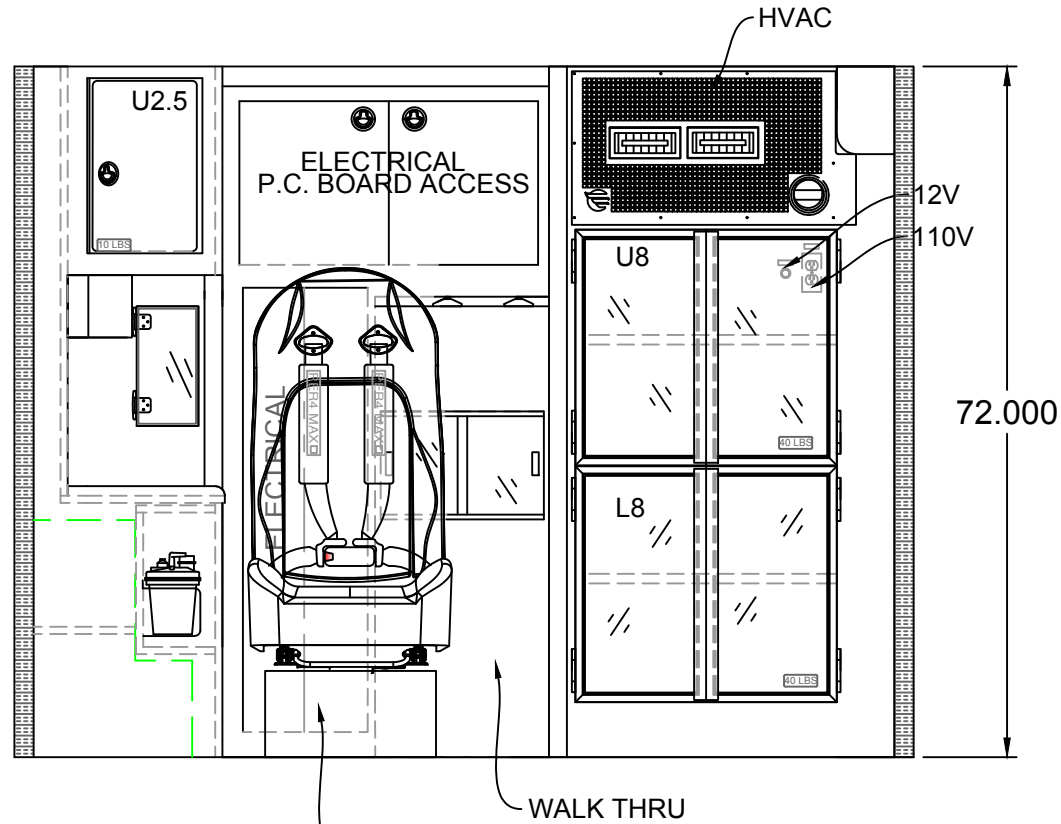
DATE	3/15/21	SCALE	
DRAWN BY	AP	DWG NO	3 / 9

50" AISLE

CA101300

MODEL 3170C

170 x 95 x 72



BE ADVISED THAT THESE ARE PRELIMINARY LAYOUTS INTENDED TO ILLUSTRATE DESIGN INTENT AND DIMENSIONS ARE FOR REFERENCE ONLY PRIOR TO FINAL ENGINEERING

ATTENDANT SEAT ON BOX BASE

WALK THRU

CABINET WEIGHT RATINGS:
NON-RESTOCKING = 40 LBS.
RESTOCKING = 30 LBS.

INTERIOR CABINET DIMENSIONS IN INCHES

CABINET	HEIGHT	WIDTH	DEPTH	CABINET	HEIGHT	WIDTH	DEPTH
U8	24.50	33.50	23.25				
L8	24.50	33.50	23.25				



TYPE 3 CHEVY
BULKHEAD INTERIOR

DATE 3/15/21

SCALE

DRAWN BY AP

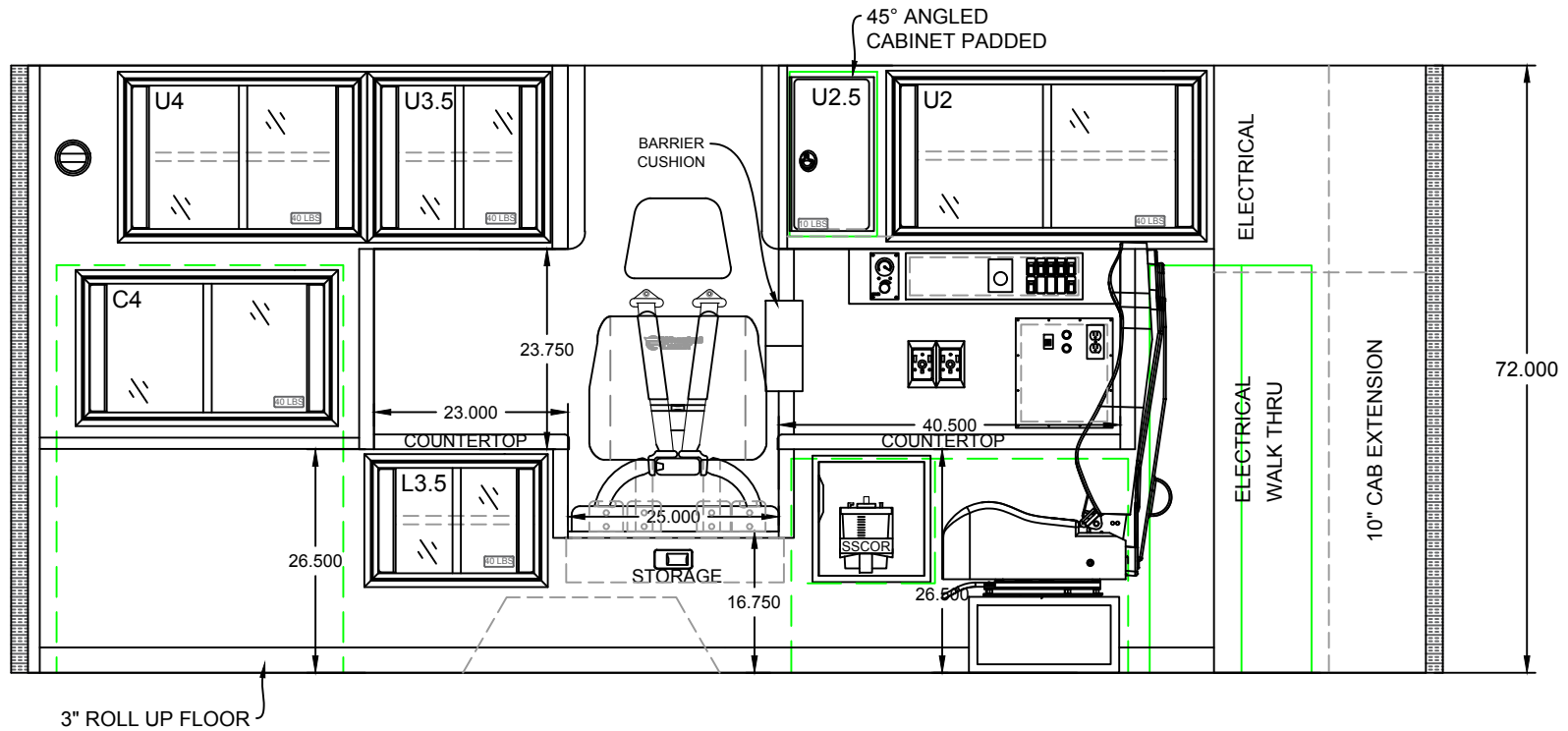
DWG NO 4 / 9

50" AISLE

CA101300

MODEL 3170C

170 x 95 x 72



INTERIOR CABINET DIMENSIONS IN INCHES

CABINET	HEIGHT	WIDTH	DEPTH		CABINET	HEIGHT	WIDTH	DEPTH	
C4	17.00	29.50	IS/OS		L3.5	14.25	20.25	17.50	
U4	18.75	28.00	17.50		CPR SEAT	4.50	23.50	17.50	
U3.5	18.75	20.25	17.50						
U2.5	19.50	12.00	15.25						
U2	18.75	36.50	15.25						



TYPE 3 CHEVY

LEFT INTERIOR

DATE:	3/15/21	SCALE:	
DWN BY:	AP	DWG NO:	5 / 9

50" AISLE

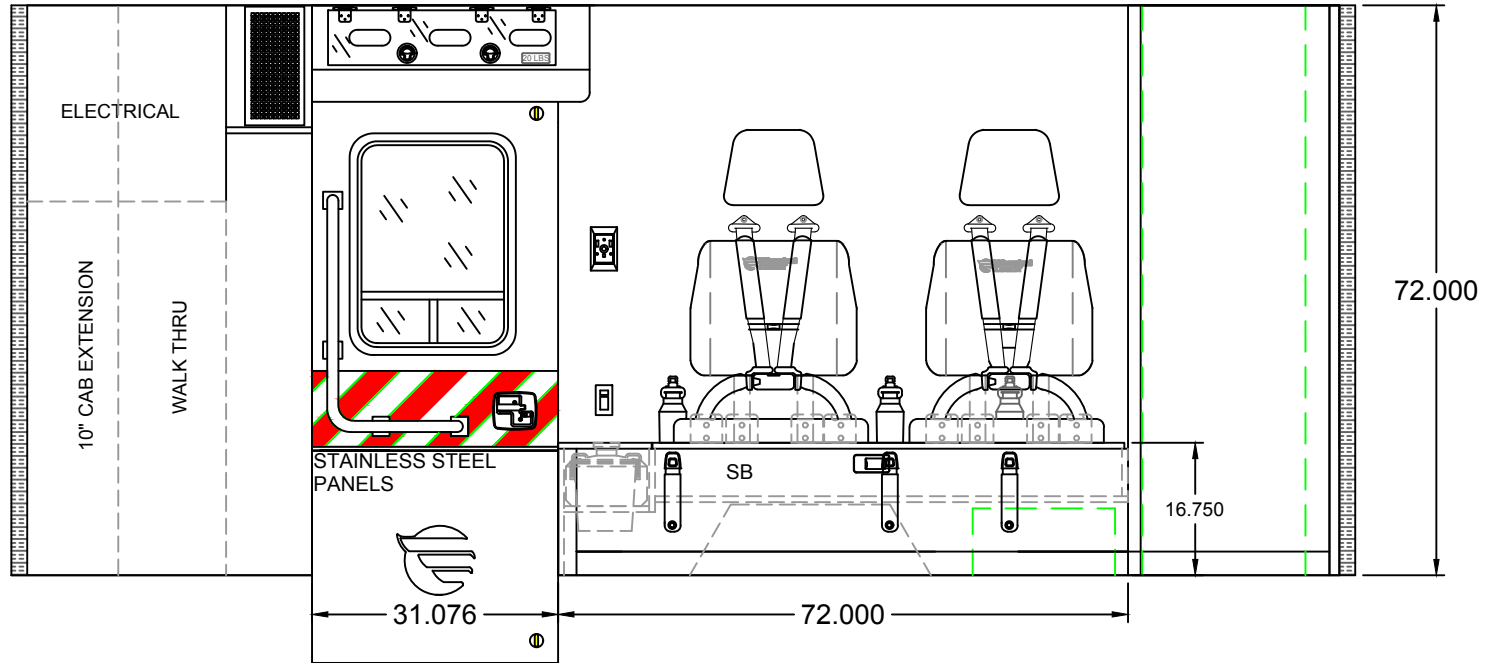
CABINET WEIGHT RATINGS:
NON-RESTOCKING = 40 LBS.
RESTOCKING = 30 LBS.

BE ADVISED THAT THESE ARE PRELIMINARY LAYOUTS INTENDED TO ILLUSTRATE DESIGN INTENT AND DIMENSIONS ARE FOR REFERENCE ONLY PRIOR TO FINAL ENGINEERING

CA101300

MODEL 3170C

170 x 95 x 72



INTERIOR CABINET DIMENSIONS IN INCHES



TYPE 3 CHEVY
RIGHT INTERIOR

DATE: 3/15/21

SCALE

OWN BY

AP

DWG NO

6 / 9

COMPT.	HEIGHT	WIDTH	DEPTH		COMPT.	HEIGHT	WIDTH	DEPTH	
SB	6.00	59.00	16.75						

50" AISLE

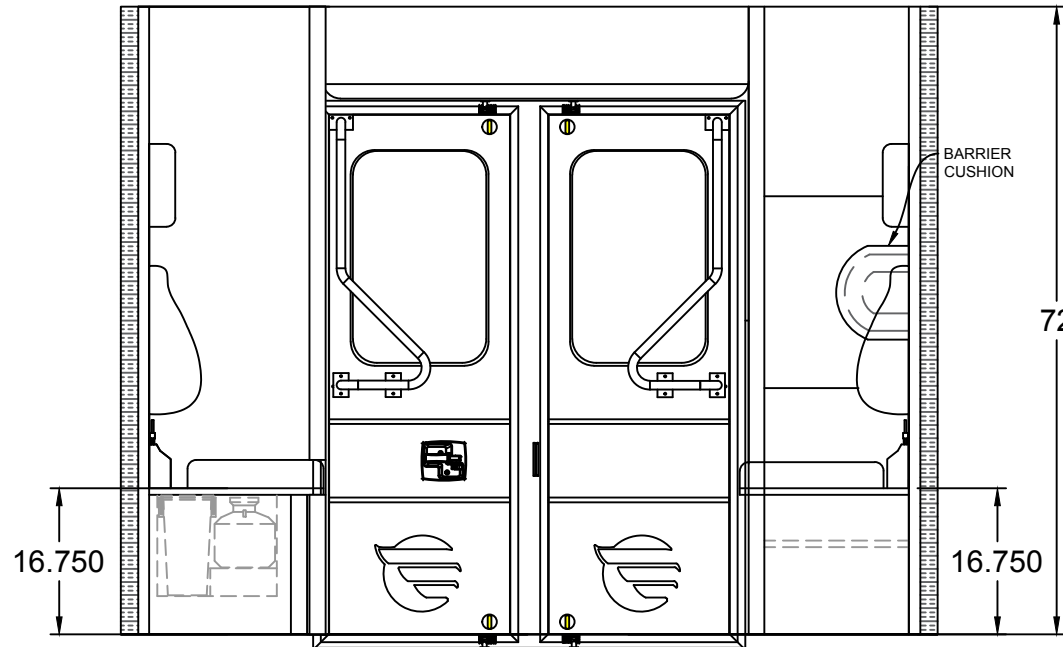
CABINET WEIGHT RATINGS:
NON-RESTOCKING = 40 LBS.
RESTOCKING = 30 LBS.

BE ADVISED THAT THESE ARE PRELIMINARY LAYOUTS INTENDED TO ILLUSTRATE DESIGN INTENT AND DIMENSIONS ARE FOR REFERENCE ONLY PRIOR TO FINAL ENGINEERING

CA101300

MODEL 3170C

170 x 95 x 72



INTERIOR CABINET DIMENSIONS IN INCHES

COMPT.	HEIGHT	WIDTH	DEPTH		COMPT.	HEIGHT	WIDTH	DEPTH	



TYPE 3 CHEVY
REAR BULKHEAD INTERIOR

DATE: 3/15/21 SCALE:

OWN BY: AP DWG NO: 7 / 9

50" AISLE

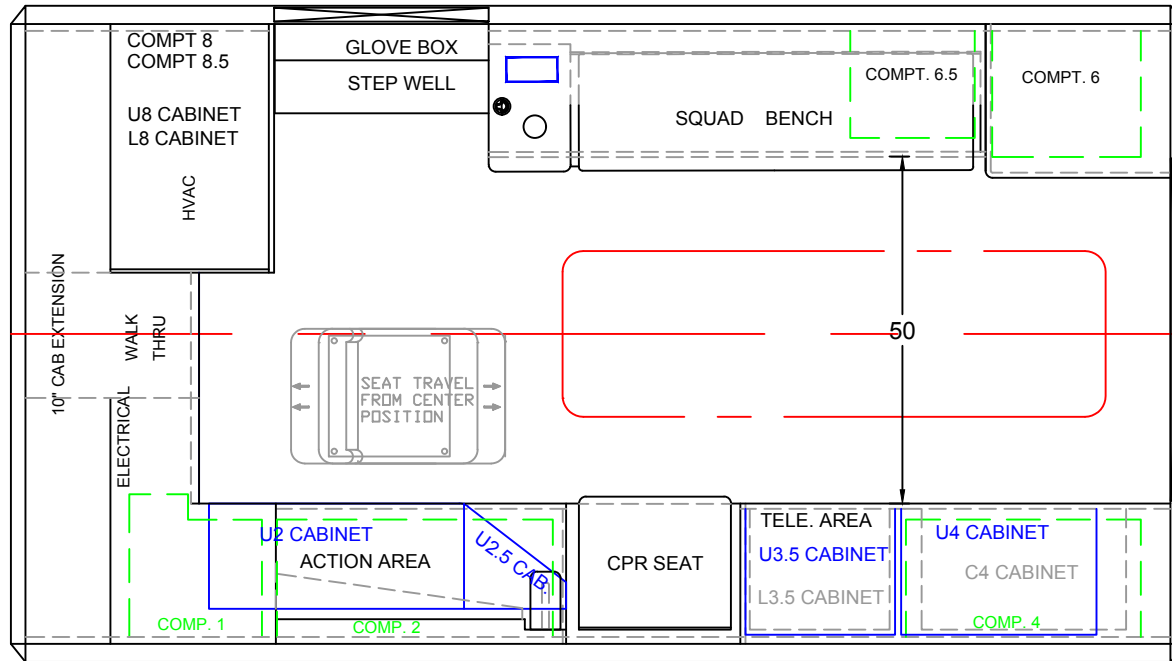
CABINET WEIGHT RATINGS:
NON-RESTOCKING = 40 LBS.
RESTOCKING = 30 LBS.

BE ADVISED THAT THESE ARE PRELIMINARY LAYOUTS INTENDED TO ILLUSTRATE DESIGN INTENT AND DIMENSIONS ARE FOR REFERENCE ONLY PRIOR TO FINAL ENGINEERING

CA101300

MODEL 3170C

170 x 95 x 72



BE ADVISED THAT THESE ARE PRELIMINARY LAYOUTS INTENDED TO ILLUSTRATE DESIGN INTENT AND DIMENSIONS ARE FOR REFERENCE ONLY PRIOR TO FINAL ENGINEERING

CABINET WEIGHT RATINGS:
NON-RESTOCKING = 40 LBS.
RESTOCKING = 30 LBS.

INTERIOR CABINET DIMENSIONS IN INCHES

CABINET	HEIGHT	WIDTH	DEPTH	CABINET	HEIGHT	WIDTH	DEPTH



TYPE 3 CHEVY
FLOOR PLAN

DATE: 3/15/21

SCALE

DWN BY AP

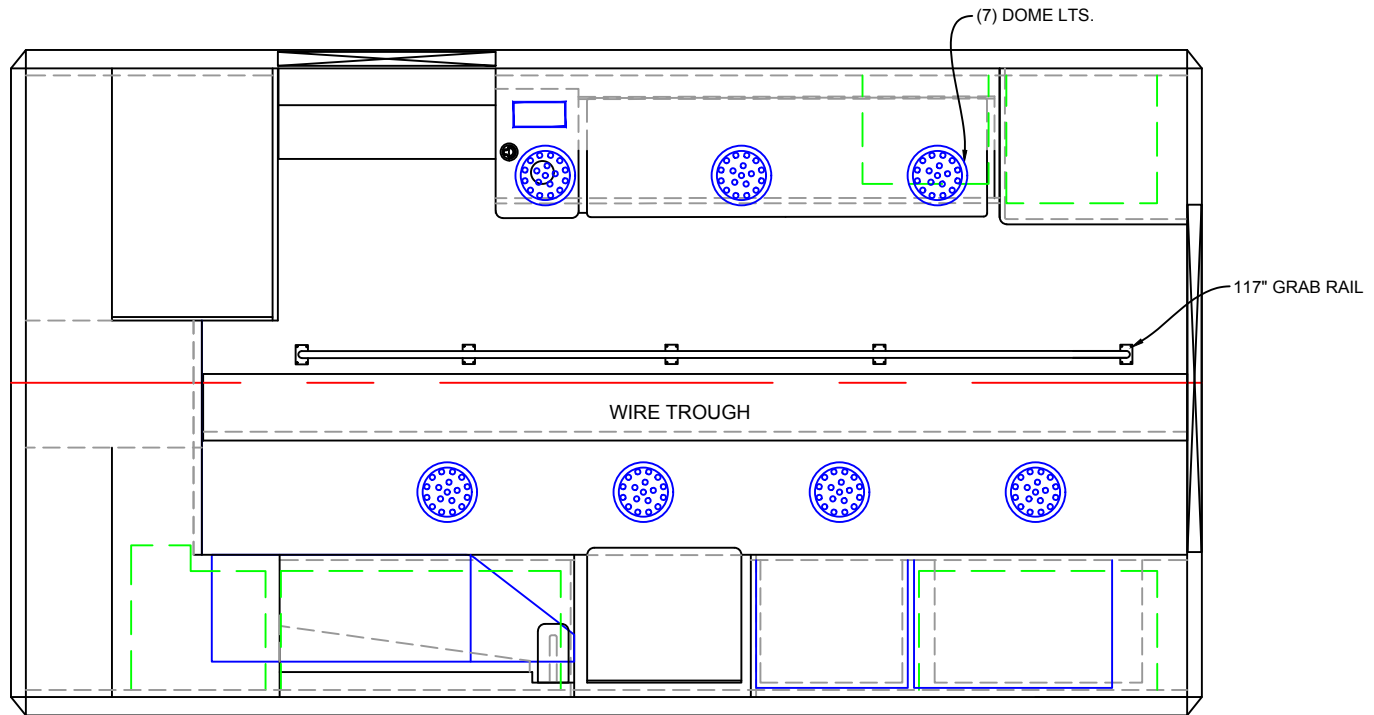
DWG NO 8 / 9

50" AISLE

CA101300

MODEL 3170C

170 x 95 x 72



BE ADVISED THAT THESE ARE PRELIMINARY LAYOUTS INTENDED TO ILLUSTRATE DESIGN INTENT AND DIMENSIONS ARE FOR REFERENCE ONLY PRIOR TO FINAL ENGINEERING

CABINET WEIGHT RATINGS:
NON-RESTOCKING = 40 LBS.
RESTOCKING = 30 LBS.

50" AISLE

INTERIOR CABINET DIMENSIONS IN INCHES

CABINET	HEIGHT	WIDTH	DEPTH	CABINET	HEIGHT	WIDTH	DEPTH



TYPE 3 CHEVY
LINER

DATE: 3/15/21

SCALE

DWN BY AP

DWG NO 9 / 9