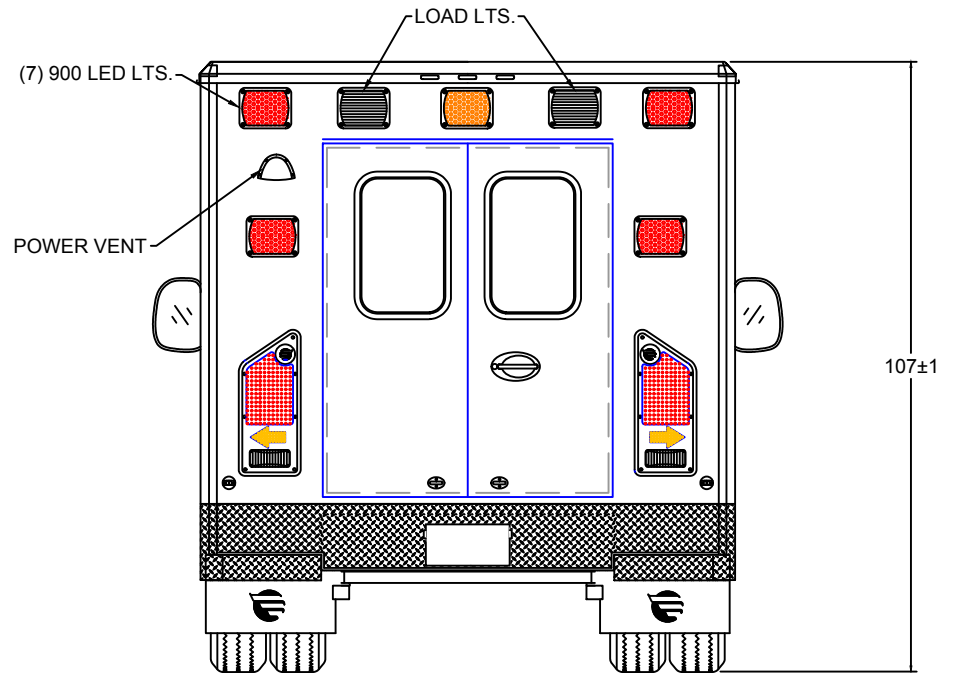
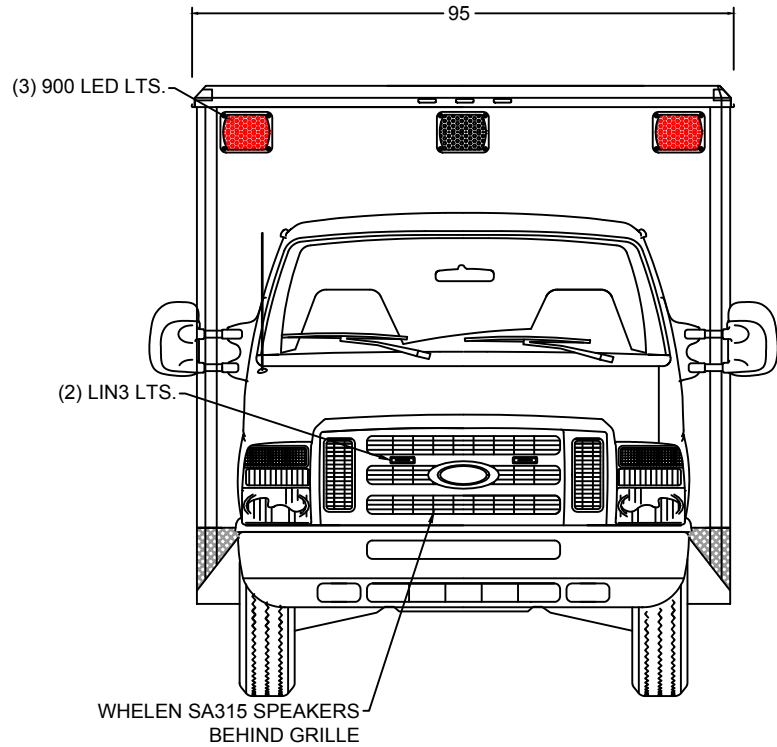


CA101300

MODEL 3165F

165 x 95 x 72



EXTERIOR COMPARTMENT DIMENSIONS IN INCHES

| INTERIOR DIMENSIONS |        |       |       | PASS THRU |       | INTERIOR DIMENSIONS |        |       |       | JAMB OPENING |       |
|---------------------|--------|-------|-------|-----------|-------|---------------------|--------|-------|-------|--------------|-------|
| COMPT.              | HEIGHT | WIDTH | DEPTH | HEIGHT    | WIDTH | COMPT.              | HEIGHT | WIDTH | DEPTH | HEIGHT       | WIDTH |
|                     |        |       |       |           |       |                     |        |       |       |              |       |
|                     |        |       |       |           |       |                     |        |       |       |              |       |
|                     |        |       |       |           |       |                     |        |       |       |              |       |



TYPE 3 FORD  
FRONT / REAR  
EXTERIOR VIEWS

BE ADVISED THAT THESE ARE PRELIMINARY LAYOUTS INTENDED TO ILLUSTRATE DESIGN INTENT AND DIMENSIONS ARE FOR REFERENCE ONLY PRIOR TO FINAL ENGINEERING

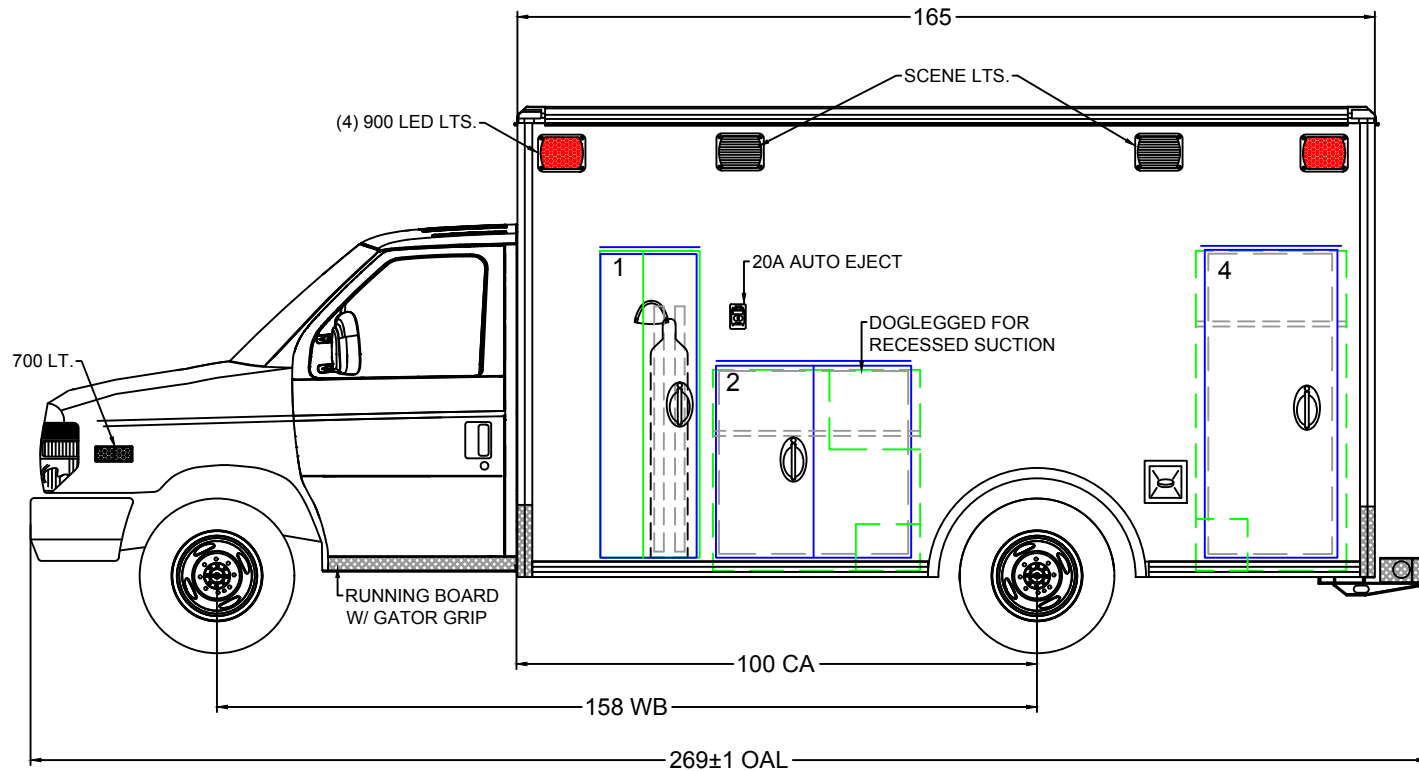
|               |               |
|---------------|---------------|
| DATE: 3/19/21 | SCALE         |
| DWN BY: AP    | DWG NO: 1 / 9 |

50" AISLE


CA101300

MODEL 3165F

165 x 95 x 72



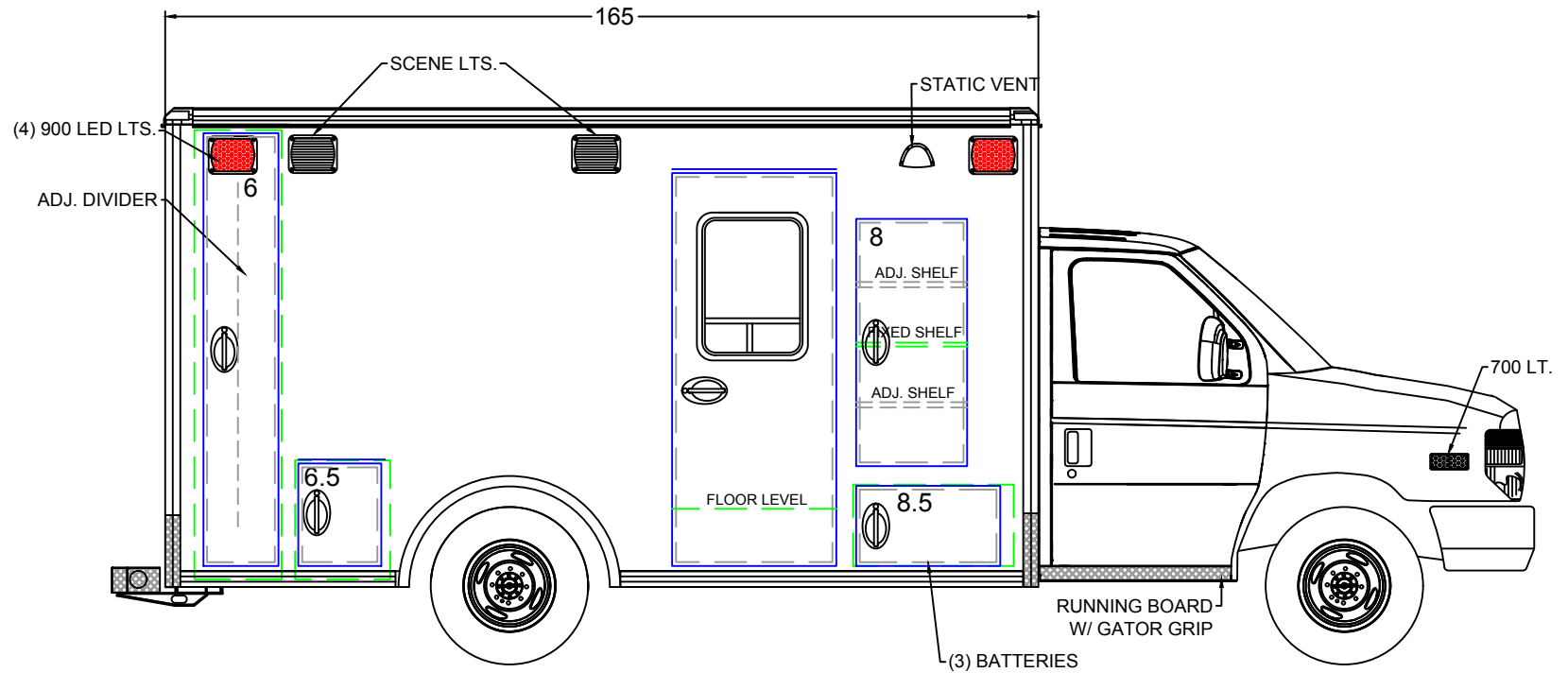
BE ADVISED THAT THESE ARE PRELIMINARY LAYOUTS INTENDED TO ILLUSTRATE DESIGN INTENT AND DIMENSIONS ARE FOR REFERENCE ONLY PRIOR TO FINAL ENGINEERING

| EXTERIOR COMPARTMENT DIMENSIONS IN INCHES |        |       |             |              |       |                     |        |       |       |              |       |  |                       |
|---|--------|-------|-------------|--------------|-------|---------------------|--------|-------|-------|--------------|-------|---|-----------------------|
| INTERIOR DIMENSIONS                       |        |       |             | JAMB OPENING |       | INTERIOR DIMENSIONS |        |       |       | JAMB OPENING |       |   |                       |
| COMPT.                                    | HEIGHT | WIDTH | DEPTH       | HEIGHT       | WIDTH | COMPT.              | HEIGHT | WIDTH | DEPTH | HEIGHT       | WIDTH |   |                       |
| 4   | 61.50  | 29.00 | 17.00       | 58.50        | 25.50 |                     |        |       |       |              |       | TYPE 3 FORD<br>LEFT EXT. VIEW   |                       |
| 2   | 38.75  | 40.00 | 17.00       | 37.00        | 37.50 |                     |        |       |       |              |       |   |                       |
| 1   | 59.00  | 19.00 | 21.75/17.00 | 58.50        | 18.50 |                     |        |       |       |              |       |   |                       |
| 50" AISLE                                 |        |       |             |              |       |                     |        |       |       |              |       | DATE 3/19/21<br>DRAWN BY AP   | SCALE<br>DWG NO 2 / 9 |

CA101300

MODEL 3165F

165 x 95 x 72



BE ADVISED THAT THESE ARE PRELIMINARY LAYOUTS INTENDED TO ILLUSTRATE DESIGN INTENT AND DIMENSIONS ARE FOR REFERENCE ONLY PRIOR TO FINAL ENGINEERING

EXTERIOR COMPARTMENT DIMENSIONS IN INCHES

| INTERIOR DIMENSIONS |        |       |       | JAMB OPENING |       | INTERIOR DIMENSIONS |        |       |       | JAMB OPENING |       |
|---------------------|--------|-------|-------|--------------|-------|---------------------|--------|-------|-------|--------------|-------|
| COMPT.              | HEIGHT | WIDTH | DEPTH | HEIGHT       | WIDTH | COMPT.              | HEIGHT | WIDTH | DEPTH | HEIGHT       | WIDTH |
| 8                   |        |       |       | 46.75        | 21.00 |                     |        |       |       |              |       |
| 8.5                 | 15.25  | 30.25 | 19.00 | 15.00        | 27.25 |                     |        |       |       |              |       |
| 6.5                 | 22.50  | 18.00 | 15.50 | 19.25        | 15.50 |                     |        |       |       |              |       |
| 6                   | 85.00  | 16.50 | 18.25 | 81.75        | 14.00 |                     |        |       |       |              |       |



TYPE 3 FORD  
RIGHT EXT. VIEW

|          |         |        |       |
|----------|---------|--------|-------|
| DATE     | 3/19/21 | SCALE  |       |
| DRAWN BY | AP      | DWG NO | 3 / 9 |

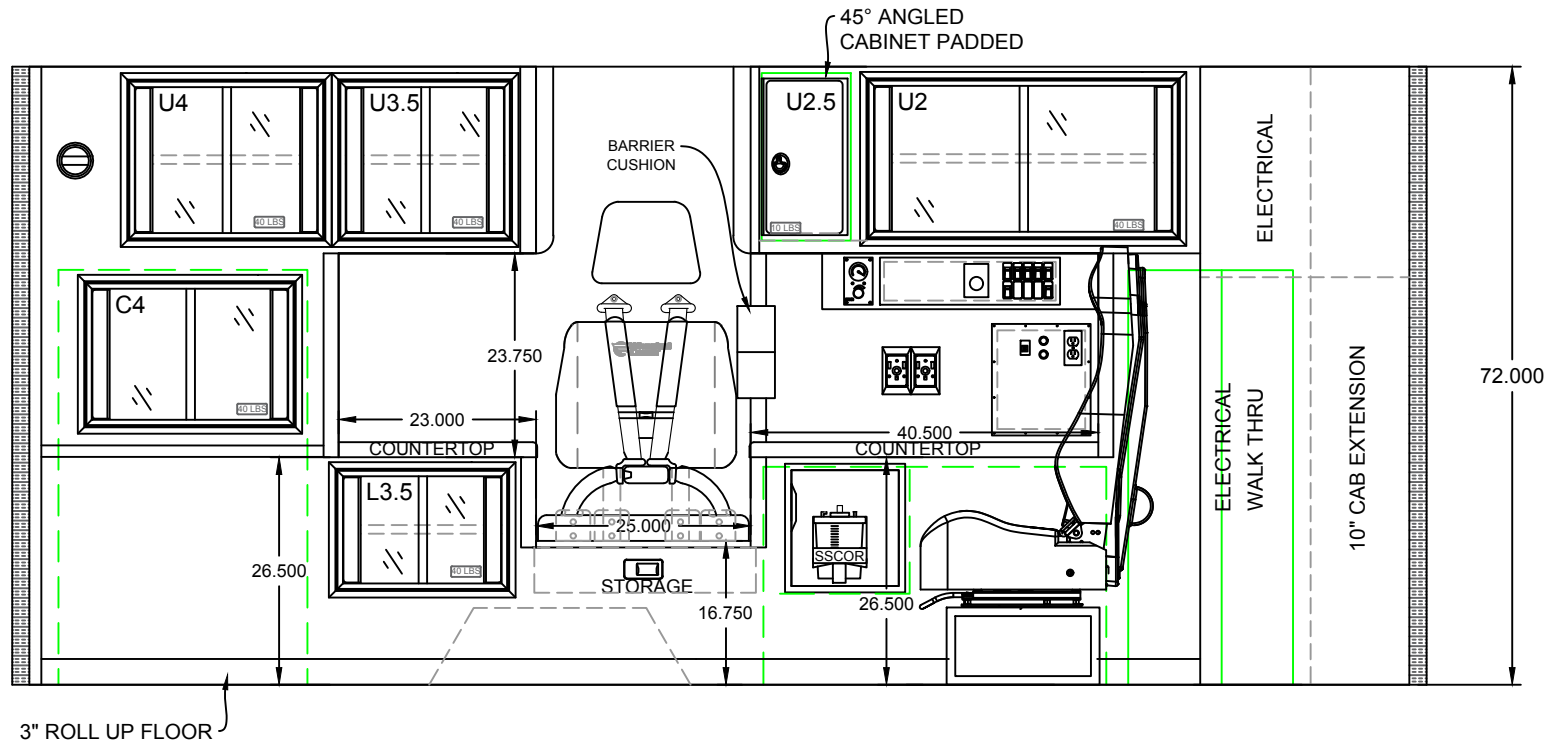
50" AISLE



CA101300

MODEL 3165F

165 x 95 x 72



INTERIOR CABINET DIMENSIONS IN INCHES

| CABINET | HEIGHT | WIDTH | DEPTH |  | CABINET  | HEIGHT | WIDTH | DEPTH |  |
|---------|--------|-------|-------|--|----------|--------|-------|-------|--|
| C4      | 17.00  | 24.50 | IS/OS |  | L3.5     | 14.25  | 20.25 | 17.50 |  |
| U4      | 18.75  | 23.00 | 17.50 |  | CPR SEAT | 4.50   | 23.50 | 17.50 |  |
| U3.5    | 18.75  | 20.25 | 17.50 |  |          |        |       |       |  |
| U2.5    | 19.50  | 12.00 | 15.25 |  |          |        |       |       |  |
| U2      | 18.75  | 36.50 | 15.25 |  |          |        |       |       |  |



TYPE 3 FORD

LEFT INTERIOR

|         |         |         |       |
|---------|---------|---------|-------|
| DATE:   | 3/19/21 | SCALE:  |       |
| DWN BY: | AP      | DWG NO: | 5 / 9 |

50" AISLE

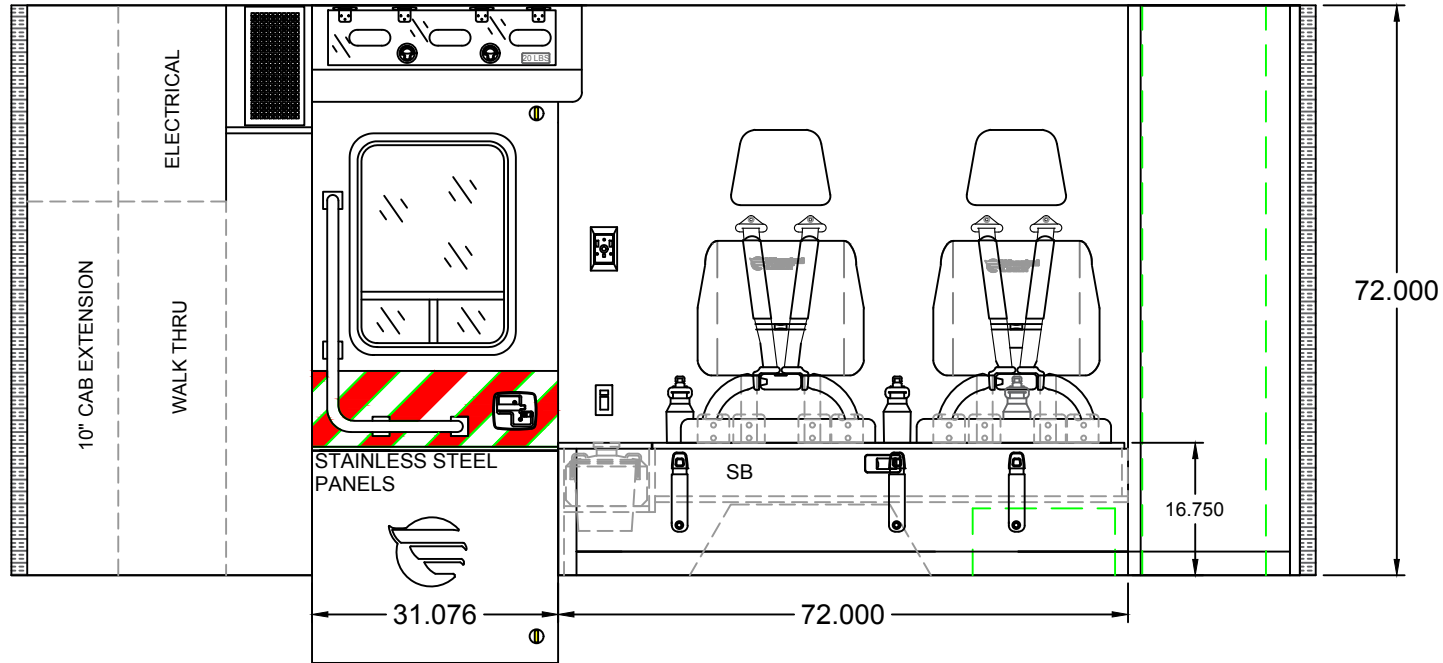
CABINET WEIGHT RATINGS:  
NON-RESTOCKING = 40 LBS.  
RESTOCKING = 30 LBS.

BE ADVISED THAT THESE ARE PRELIMINARY LAYOUTS INTENDED TO ILLUSTRATE DESIGN INTENT AND DIMENSIONS ARE FOR REFERENCE ONLY PRIOR TO FINAL ENGINEERING

CA101300

MODEL 3165F

165 x 95 x 72



INTERIOR CABINET DIMENSIONS IN INCHES



TYPE 3 FORD  
RIGHT INTERIOR

DATE: 3/19/21

SCALE

OWN BY

AP

DWG NO

6 / 9

50" AISLE

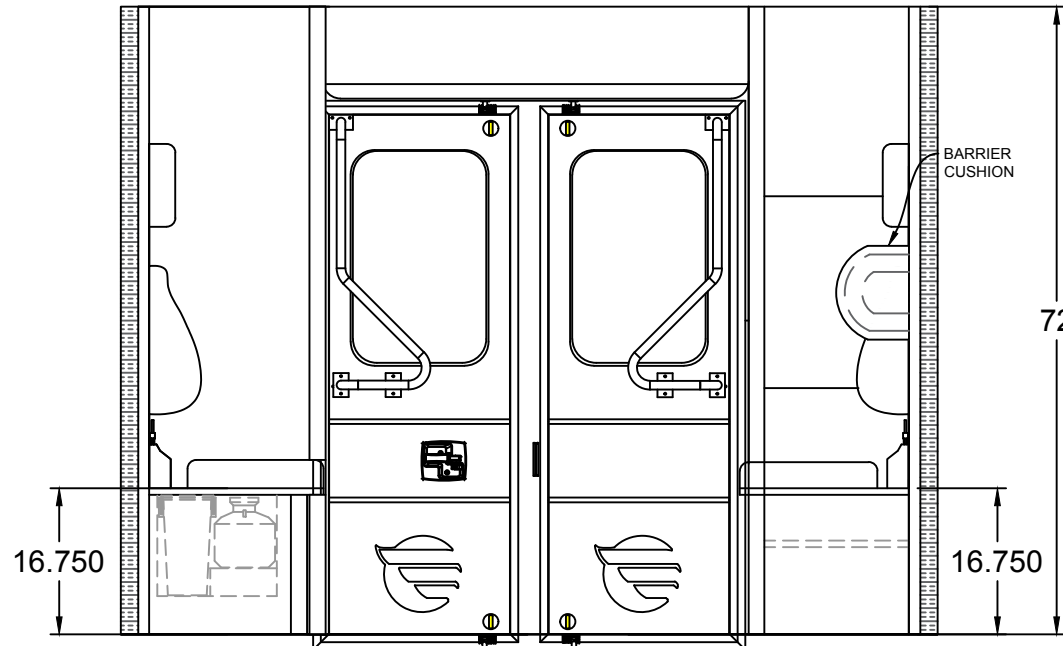
CABINET WEIGHT RATINGS:  
NON-RESTOCKING = 40 LBS.  
RESTOCKING = 30 LBS.

BE ADVISED THAT THESE ARE PRELIMINARY LAYOUTS INTENDED TO ILLUSTRATE DESIGN INTENT AND DIMENSIONS ARE FOR REFERENCE ONLY PRIOR TO FINAL ENGINEERING

CA101300

MODEL 3165F

165 x 95 x 72



INTERIOR CABINET DIMENSIONS IN INCHES

| COMPT. | HEIGHT | WIDTH | DEPTH |  | COMPT. | HEIGHT | WIDTH | DEPTH |  |
|--------|--------|-------|-------|--|--------|--------|-------|-------|--|
|        |        |       |       |  |        |        |       |       |  |
|        |        |       |       |  |        |        |       |       |  |
|        |        |       |       |  |        |        |       |       |  |
|        |        |       |       |  |        |        |       |       |  |



TYPE 3 FORD  
REAR BULKHEAD INTERIOR

DATE: 3/19/21 SCALE:

OWN BY: AP DWG NO: 7 / 9

50" AISLE

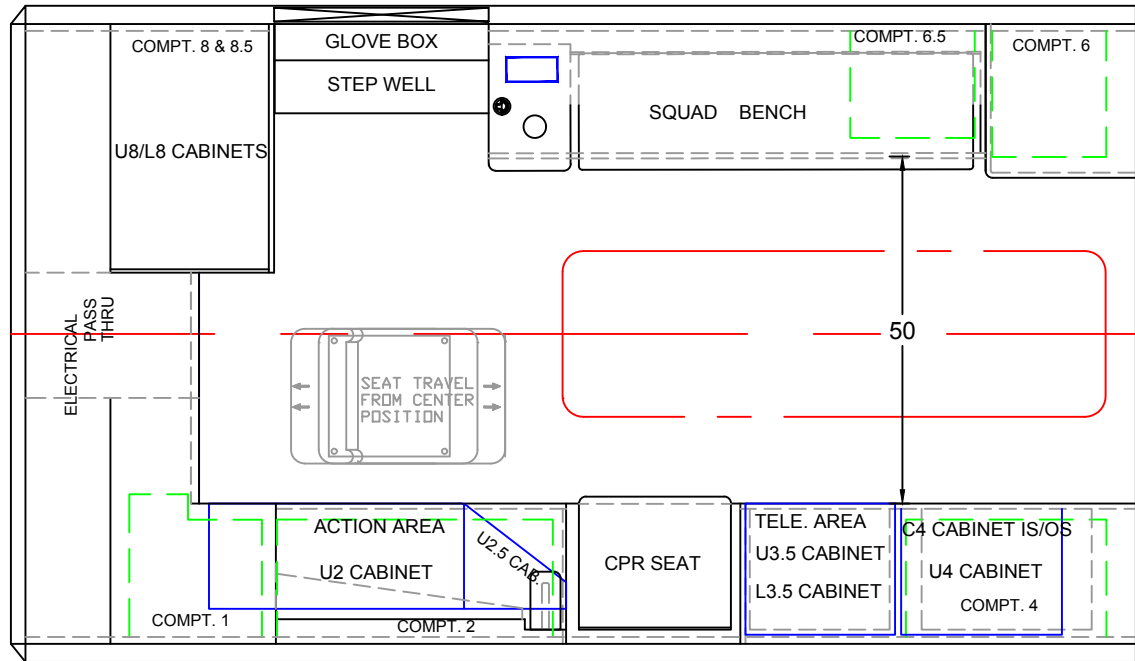
CABINET WEIGHT RATINGS:  
NON-RESTOCKING = 40 LBS.  
RESTOCKING = 30 LBS.

BE ADVISED THAT THESE ARE PRELIMINARY LAYOUTS INTENDED TO ILLUSTRATE DESIGN INTENT AND DIMENSIONS ARE FOR REFERENCE ONLY PRIOR TO FINAL ENGINEERING

CA101300

MODEL 3165F

165 x 95 x 72



BE ADVISED THAT THESE ARE PRELIMINARY LAYOUTS INTENDED TO ILLUSTRATE DESIGN INTENT AND DIMENSIONS ARE FOR REFERENCE ONLY PRIOR TO FINAL ENGINEERING

CABINET WEIGHT RATINGS:  
NON-RESTOCKING = 40 LBS.  
RESTOCKING = 30 LBS.

INTERIOR CABINET DIMENSIONS IN INCHES

| CABINET | HEIGHT | WIDTH | DEPTH | CABINET | HEIGHT | WIDTH | DEPTH |
|---------|--------|-------|-------|---------|--------|-------|-------|
|         |        |       |       |         |        |       |       |
|         |        |       |       |         |        |       |       |
|         |        |       |       |         |        |       |       |
|         |        |       |       |         |        |       |       |
|         |        |       |       |         |        |       |       |
|         |        |       |       |         |        |       |       |
|         |        |       |       |         |        |       |       |



TYPE 3 FORD  
FLOOR PLAN

DATE: 3/19/21

SCALE

DWN BY AP

DWG NO 8 / 9

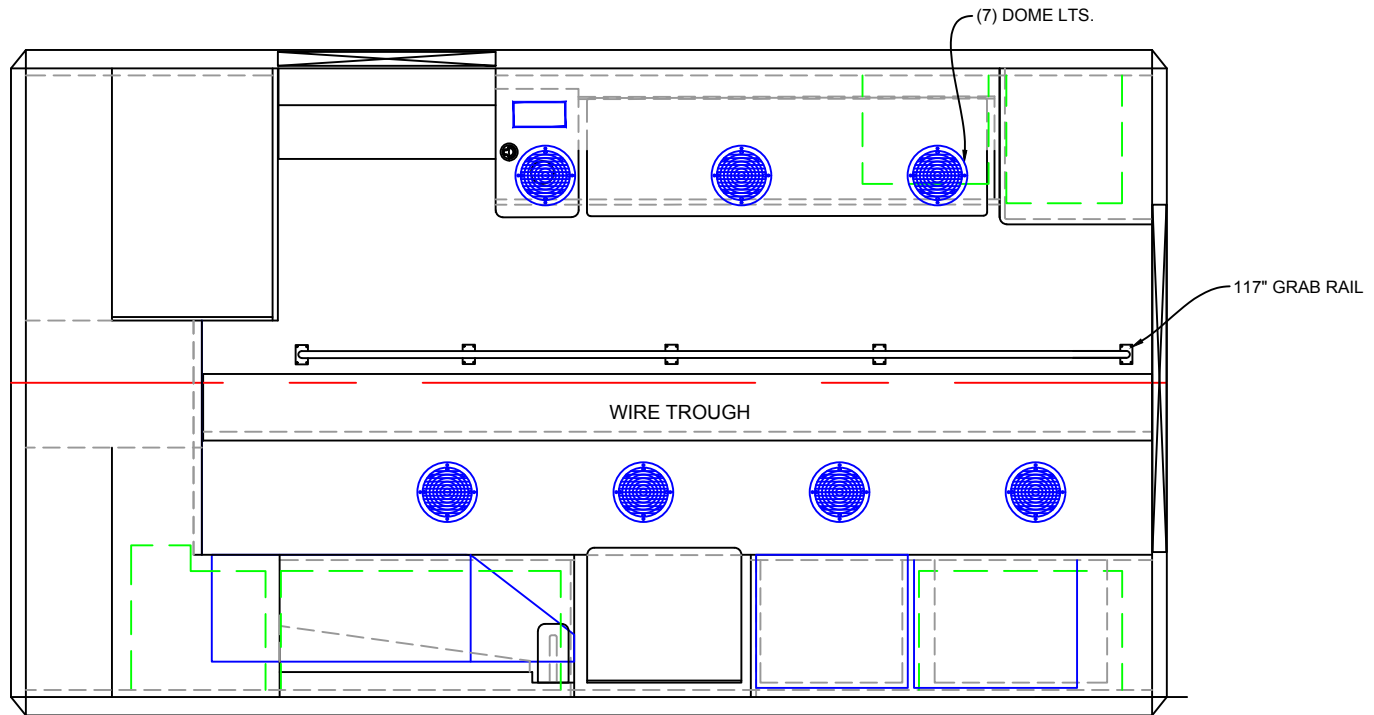
50" AISLE



CA101300

MODEL 3165F

165 x 95 x 72



BE ADVISED THAT THESE ARE PRELIMINARY LAYOUTS INTENDED TO ILLUSTRATE DESIGN INTENT AND DIMENSIONS ARE FOR REFERENCE ONLY PRIOR TO FINAL ENGINEERING

CABINET WEIGHT RATINGS:  
NON-RESTOCKING = 40 LBS.  
RESTOCKING = 30 LBS.

50" AISLE

INTERIOR CABINET DIMENSIONS IN INCHES

| CABINET | HEIGHT | WIDTH | DEPTH | CABINET | HEIGHT | WIDTH | DEPTH |
|---------|--------|-------|-------|---------|--------|-------|-------|
|         |        |       |       |         |        |       |       |
|         |        |       |       |         |        |       |       |
|         |        |       |       |         |        |       |       |
|         |        |       |       |         |        |       |       |
|         |        |       |       |         |        |       |       |
|         |        |       |       |         |        |       |       |
|         |        |       |       |         |        |       |       |
|         |        |       |       |         |        |       |       |



TYPE 3 FORD  
LINER

|               |               |
|---------------|---------------|
| DATE: 3/19/21 | SCALE         |
| DWN BY: AP    | DWG NO: 9 / 9 |