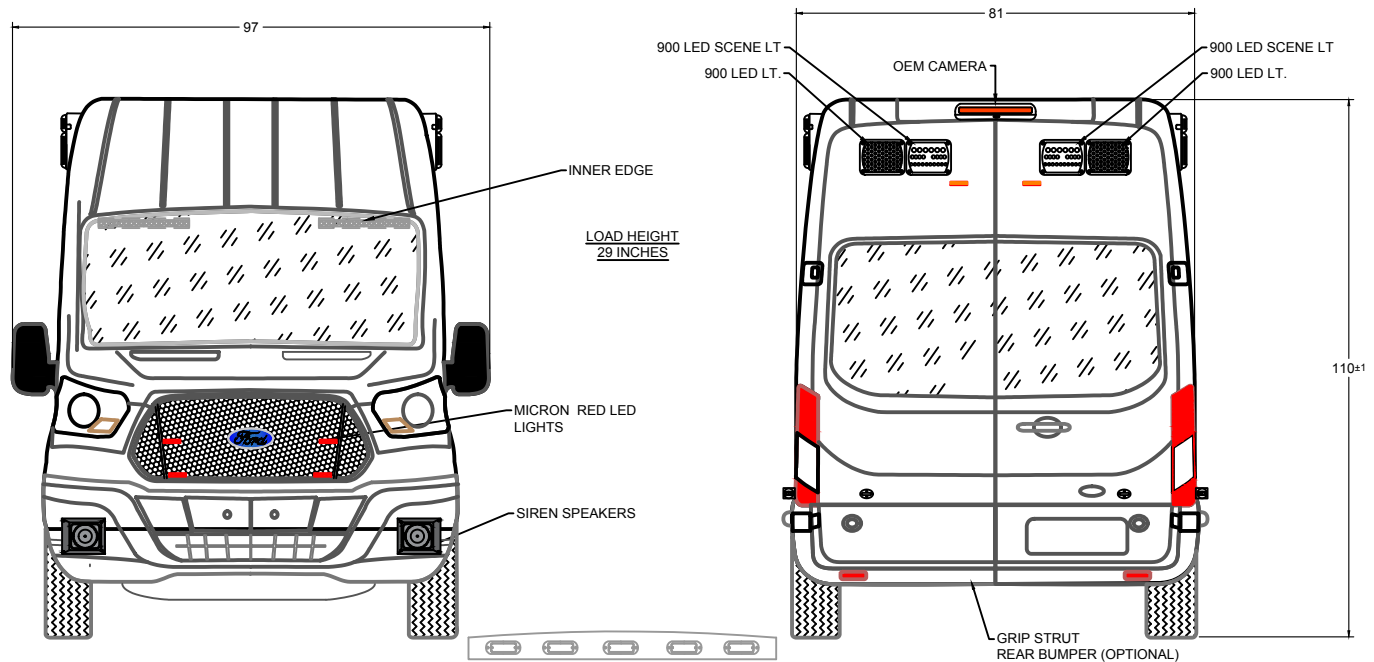



CA165755

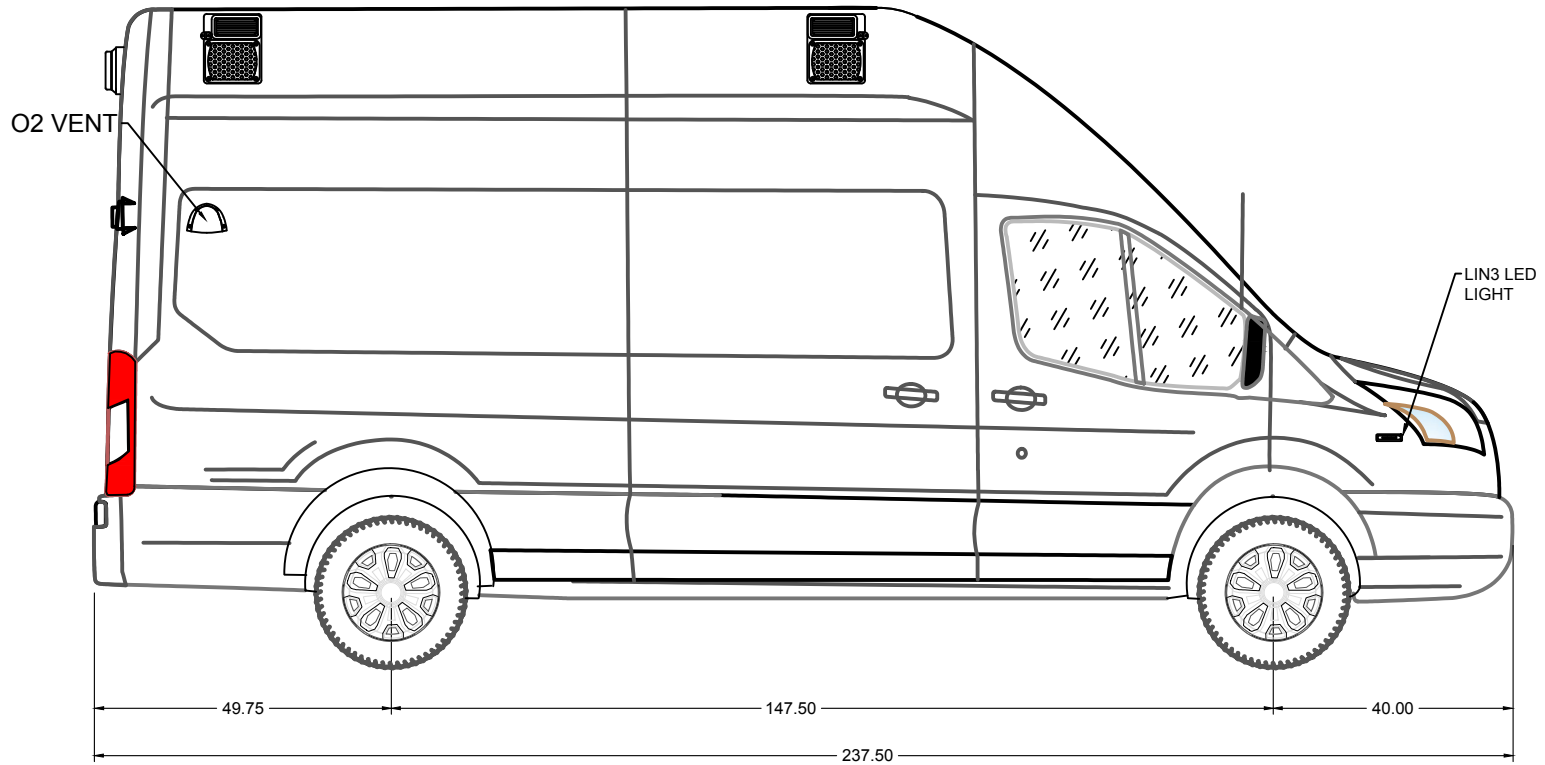
TRANSIT 2.0 HIGH ROOF




EXTERIOR COMPARTMENT DIMENSIONS IN INCHES													
INTERIOR DIMENSIONS				PASS THRU		INTERIOR DIMENSIONS				JAMB OPENING			
COMPT.	HEIGHT	WIDTH	DEPTH	HEIGHT	WIDTH	COMPT.	HEIGHT	WIDTH	DEPTH	HEIGHT	WIDTH		
													TRANSIT HIGH ROOF FRONT / REAR EXTERIOR VIEWS
							BE ADVISED THAT THESE ARE PRELIMINARY LAYOUTS INTENDED TO ILLUSTRATE DESIGN INTENT AND DIMENSIONS ARE FOR REFERENCE ONLY PRIOR TO FINAL ENGINEERING					DATE: 3/24/21 SCALE:	
												DWN BY: AP DWG NO: 1 / 9	

CA165755

TRANSIT 2.0 HIGH ROOF



BE ADVISED THAT THESE ARE PRELIMINARY LAYOUTS INTENDED TO ILLUSTRATE DESIGN INTENT AND DIMENSIONS ARE FOR REFERENCE ONLY PRIOR TO FINAL ENGINEERING

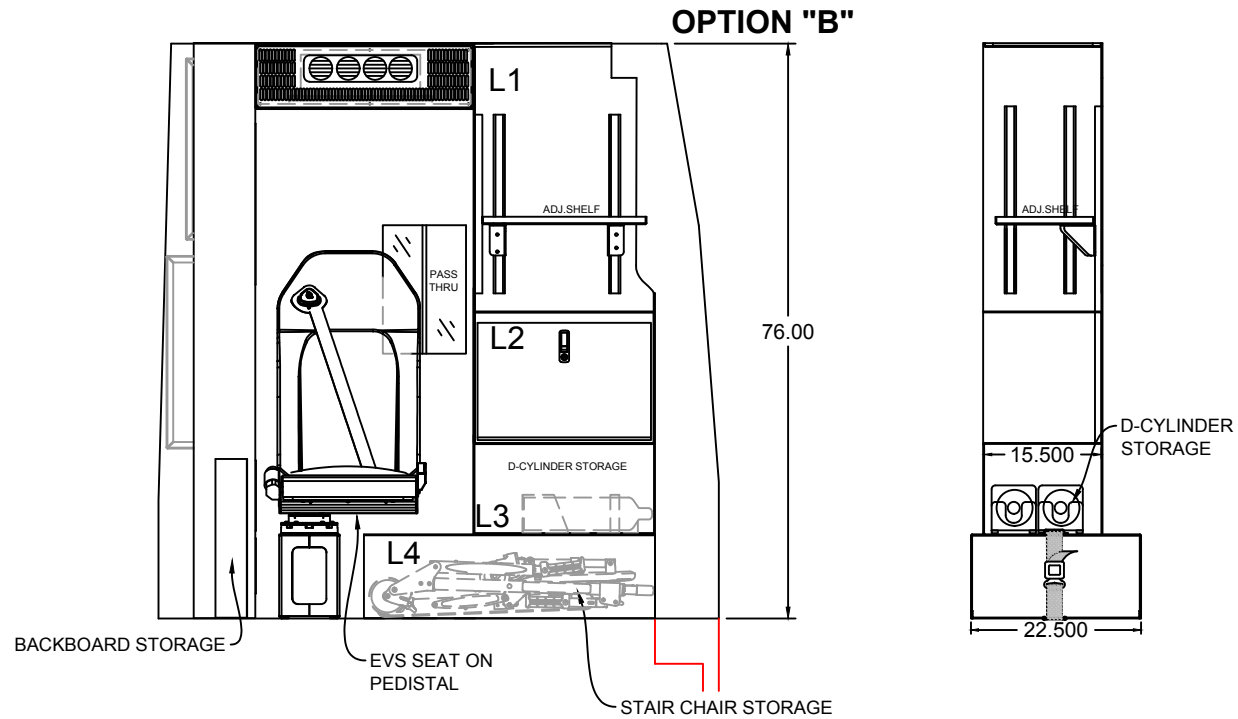
EXTERIOR COMPARTMENT DIMENSIONS IN INCHES															
INTERIOR DIMENSIONS				JAMB OPENING		INTERIOR DIMENSIONS				JAMB OPENING					
COMPT.	HEIGHT	WIDTH	DEPTH	HEIGHT	WIDTH	COMPT.	HEIGHT	WIDTH	DEPTH	HEIGHT	WIDTH				
													DATE	3/24/21	SCALE
													DRAWN BY	AP	DWG NO
															3 / 9

TRANSIT HIGH ROOF


RIGHT EXT. VIEW

CA165755

TRANSIT 2.0 HIGH ROOF

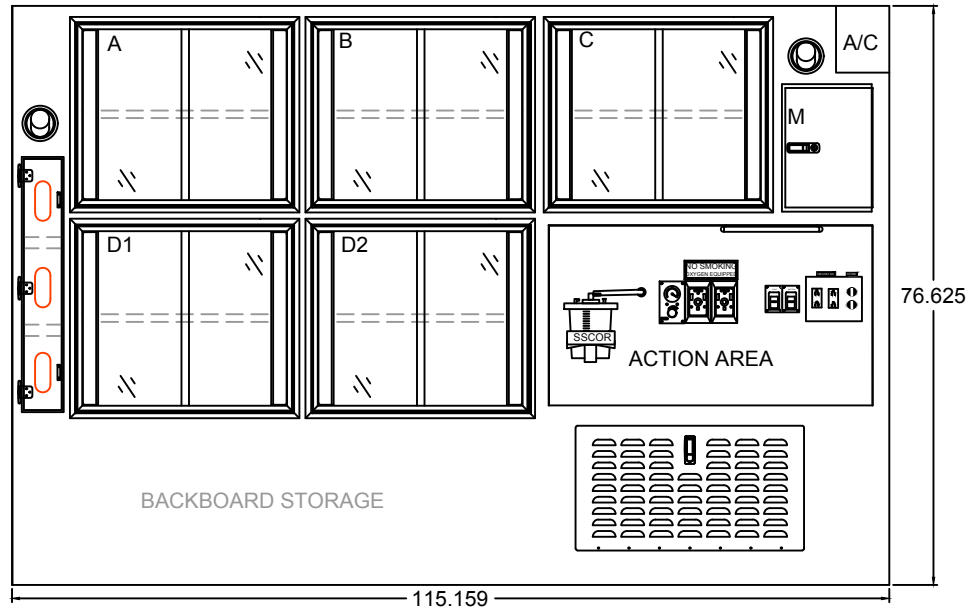
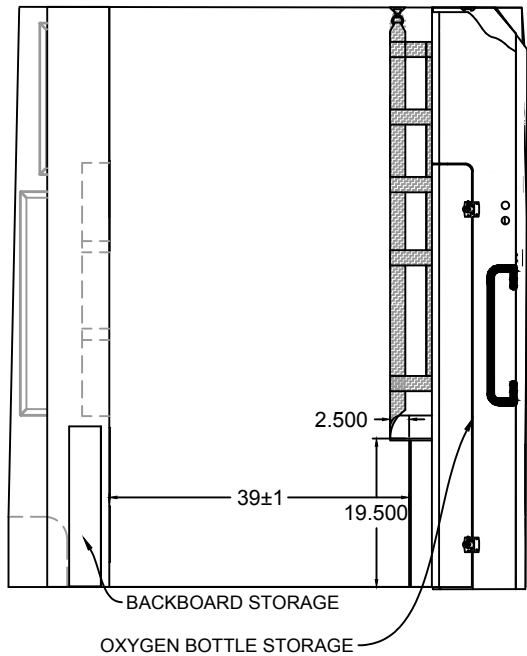


BE ADVISED THAT THESE ARE PRELIMINARY LAYOUTS INTENDED TO ILLUSTRATE DESIGN INTENT AND DIMENSIONS ARE FOR REFERENCE ONLY PRIOR TO FINAL ENGINEERING

INTERIOR CABINET DIMENSIONS IN INCHES								 TRANSIT HIGH ROOF BULKHEAD INTERIOR	
CABINET	HEIGHT	WIDTH	DEPTH	CABINET	HEIGHT	WIDTH	DEPTH		
L1	35.00	23.75	15.50						
L2	17.25	23.75	15.50						
L3	12.00	23.75	15.50						
L4	11.00	38.50	22.25						
								DATE 3/24/21	SCALE
								DRAWN BY AP	DWG NO 5 / 9

CA165755

TRANSIT 2.0 HIGH ROOF



INTERIOR CABINET DIMENSIONS IN INCHES

CABINET	HEIGHT	WIDTH	DEPTH		CABINET	HEIGHT	WIDTH	DEPTH	
A	24.25	28.00	9.00		M	15.25	11.25	8.00	
B	24.25	28.00	9.00						
C	24.25	28.00	9.00						
D1	24.75	28.00	11.50						
D2	24.75	28.00	11.50						



TRANSIT HIGH ROOF

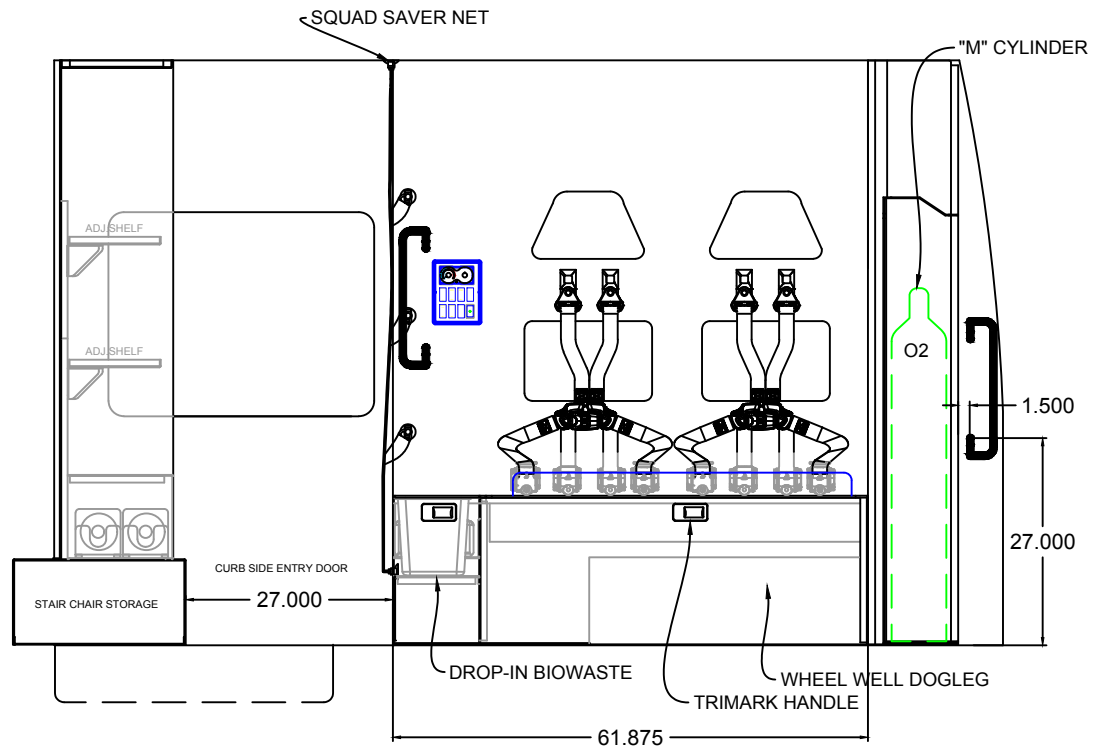
LEFT INTERIOR

DATE:	3/24/21	SCALE:	
DWN BY:	AP	DWG NO:	6 / 9

BE ADVISED THAT THESE ARE PRELIMINARY LAYOUTS INTENDED TO ILLUSTRATE DESIGN INTENT AND DIMENSIONS ARE FOR REFERENCE ONLY PRIOR TO FINAL ENGINEERING

CA165755

TRANSIT 2.0 HIGH ROOF



INTERIOR CABINET DIMENSIONS IN INCHES

COMPT.	HEIGHT	WIDTH	DEPTH		COMPT.	HEIGHT	WIDTH	DEPTH	



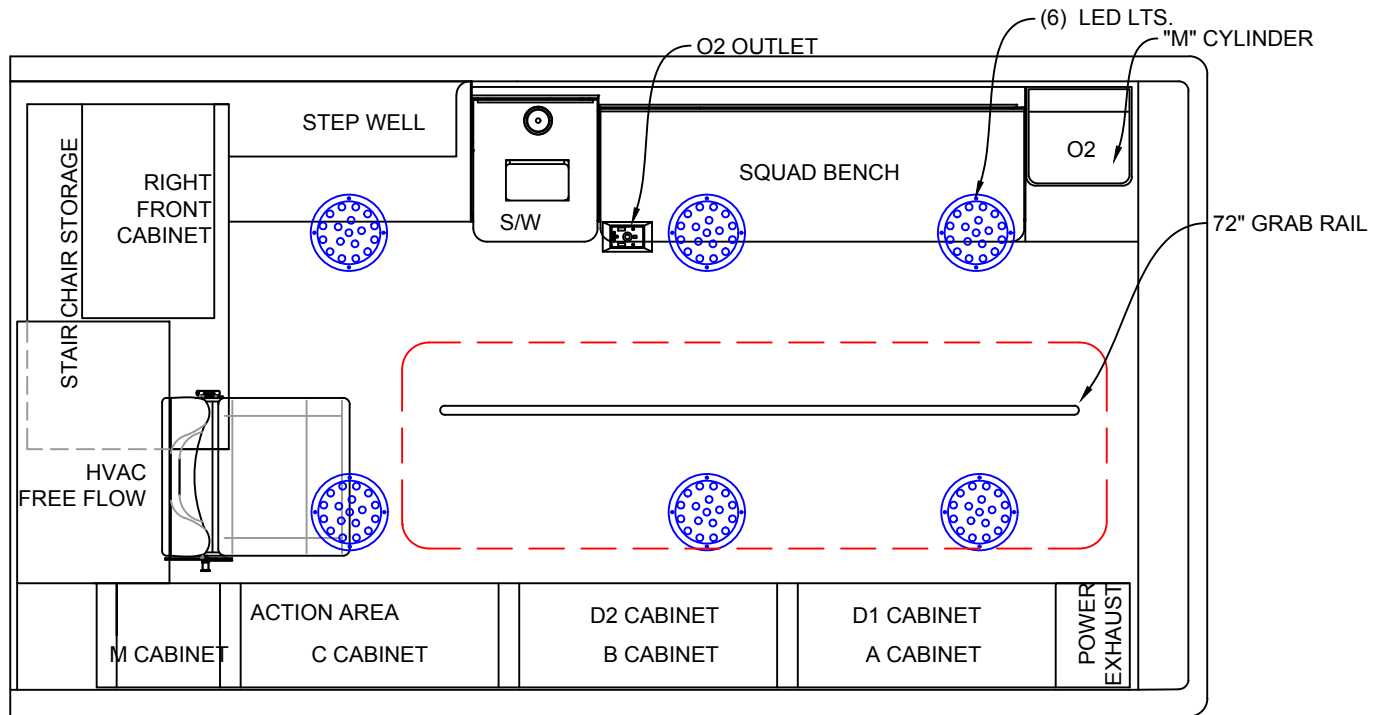
TRANSIT HIGH ROOF
RIGHT INTERIOR

DATE:	3/24/21	SCALE	
DWN BY:	AP	DWG NO	7 / 9

BE ADVISED THAT THESE ARE PRELIMINARY LAYOUTS INTENDED TO ILLUSTRATE DESIGN INTENT AND DIMENSIONS ARE FOR REFERENCE ONLY PRIOR TO FINAL ENGINEERING

CA165755

TRANSIT 2.0 HIGH ROOF



BE ADVISED THAT THESE ARE PRELIMINARY LAYOUTS INTENDED TO ILLUSTRATE DESIGN INTENT AND DIMENSIONS ARE FOR REFERENCE ONLY PRIOR TO FINAL ENGINEERING

INTERIOR CABINET DIMENSIONS IN INCHES

CABINET	HEIGHT	WIDTH	DEPTH	CABINET	HEIGHT	WIDTH	DEPTH

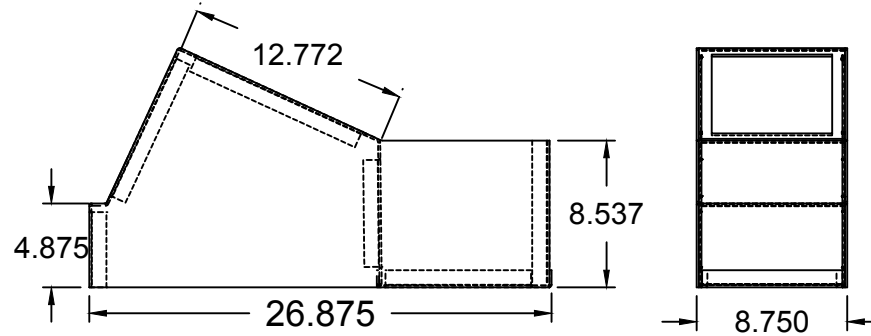
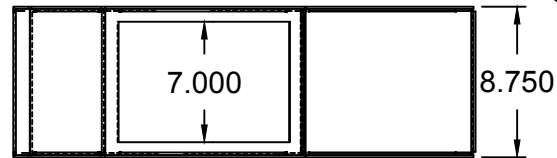
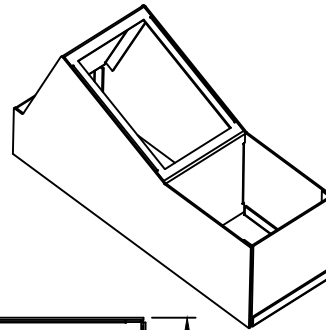


TRANSIT HIGH ROOF
LINER

DATE: 3/24/21 SCALE
DWN BY: AP DWG NO: 8 / 9

CA165755

TRANSIT 2.0 HIGH ROOF



BE ADVISED THAT THESE ARE PRELIMINARY LAYOUTS INTENDED TO ILLUSTRATE DESIGN INTENT AND DIMENSIONS ARE FOR REFERENCE ONLY PRIOR TO FINAL ENGINEERING

INTERIOR CABINET DIMENSIONS IN INCHES

CABINET	HEIGHT	WIDTH	DEPTH	CABINET	HEIGHT	WIDTH	DEPTH



TRANSIT HIGH ROOF
CONSOLE

DATE:	3/24/21	SCALE:	
DWN BY:	AP	DWG NO:	9 / 9